



Beacon Lamps
&
Sounders

Welcome to DG Controls Limited!



Whilst strongly market led, our development team regularly introduce concept products to push the boundaries of visual hazard warning and information display; many of these concept devices become standard within our range when welcomed by our customers.

ISO 9001 formalises all aspects of our commitment to quality of service and manufacture, and our Beacon Lamps and Luminaires are found in both obvious and unlikely environments right around the world.

Our specialised distributors handle sales into many countries of the world. Where we do not have an appointed distributor, sales needs are provided direct from our UK-based Technical Sales Engineers with fast response to ensure products-to-customer in the shortest possible time.

This catalogue is designed to help you select the right product for your application, but we enjoy giving personal service too! Please feel free to make contact with us.

Since the founding of the company in 1967, customers and staff have always been of highest priority. Early in 2001, this emphasis was recognised and rewarded by our gaining the prestigious Investors in People award, which can only be achieved after rigorous auditing not only of the company's personnel training and operating methods, but also their customer perception and care attitude.

Investment in our people is positively reflected in the development, design, manufacture and marketing of the products shown in this catalogue.

In recent years, we have also won awards for export achievements and for advanced uses of Information and Communication Technology.

Our Websites, now established over a number of years, provide information 24 hours per day, 7 days per week. This catalogue is designed to provide an equally valuable reference and sales platform, showing an unequalled range of alarm warning product. Our ongoing developments in all markets and user areas will inevitably mean yet more products being added and launched at the worldwide exhibitions we attend each year.

D.G. Controls Limited?

A UK-based company dedicated to the manufacture of Beacon Lamps and Hazard Warning products since 1967.

deegee?

The registered brand name and trademark of D.G. Controls Limited.

Origin?

All of our products are designed and manufactured in our own factory on our 1.1 hectare site in the UK. This means we can react rapidly to your needs.

Applications?

Our products are in reliable operation all over the world. Applications include factory automation, hazard warning, signalling, airports, fire alarm systems, security, machinery status, wind generators, high buildings, vehicles; in fact, anywhere a hazard warning or defined message is needed to alert and inform.

Local distributor?

If no label is attached to this catalogue, e-mail, fax or telephone us for details.

Contents

Page

Stacking Beacon Indicators.....	4
Tower Beacon Indicators.....	7
STC Micro-Tower Beacons	10
LED Indicator Panels	11
LED Matrix Displays.....	13
General Warning Beacons Series D.....	14
Series E	16
Series F.....	19
Series G.....	21
Series H.....	24
Series J.....	27
Series K.....	30
Series L.....	33
Series M	35
Series N.....	37
Series R	39
Series S.....	42
Series T.....	45
Series U.....	48
Series V.....	49
Series W.....	51
Discharge Lamps.....	52
Telephone Ring Initiated Beacons	53
Battery Operated Beacons.....	55
Multihead Indicators	57
Duplex (Wig-wag) Beacons	59
Vehicle Beacons.....	62
Explosionproof Beacons.....	65
Combined Beacons and Sounders.....	68
Electronic Sounders.....	70
Solid-state Flasher Module	72
LEDX - LED Lamp.....	72
Installation Accessories	73
Terms and Conditions of Sale	74
Glossary	75

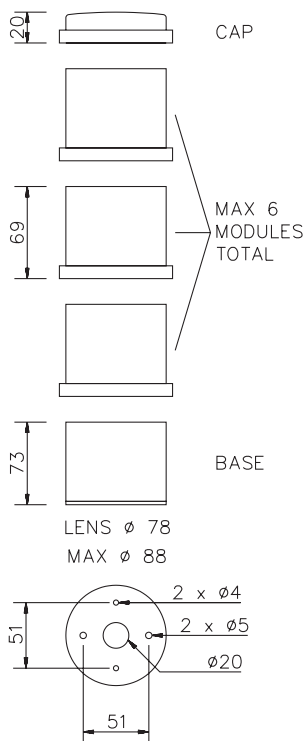
D.G. Controls Limited

Cadley Hill Road, Swadlincote, Derbyshire, DE11 9TB, ENGLAND.

Tel: +44 (0) 1283 550850 Fax: +44 (0) 1283 550776 E-mail: sales@deegee.com www: http://www.deegee.com

Copyright © Reserved

Stacking Beacon Indicators



A range of modular stacking (click-together) beacon lamps with high environmental protection to IP65 standard. These products are ideally suited to internal or external multi-status signalling applications.

This modular approach enables stacks to be constructed from any combination of module types and eases the task of design and maintenance engineers, system integrators and stockist/distributors. The comprehensive range builds from a common base/terminal module and offers choice of visual indicator modules including LED (Rotating, Pulsed and Static), Xenon Strobe, Filament Lamp (Pulsed and Static), together with audible sounders (Mono-Tone, Pulse-Tone and Chime-Tone) and extender/separator modules.

All external parts are moulded from engineering-grade, UV-stabilised polycarbonate for enhanced durability.

To complement the range, Wall Mounting Brackets, Pole Mounts, Cast Aluminium Bases with Threaded M20 Entries, Compression Glands and AC to DC Converter Modules (UC-RECT) are also available.

- These devices are totally modular and can be used as single indicators or multi-stacked up to 6 modules high.

Note:

- For each stack required, order one Base+Cap Module, and individual Indicator Modules/Lamps.
- Maximum stack: One Base+Cap Module + six (maximum) individual / assorted modules, of which one can be a Sounder Module. Extender/Separators can be added as desired.

SSA/B15D Static (Non-flashing) Filament Lamp Module



- Most popular stacking beacon module.
- Universal ac or dc supply voltage (up to 250V) ready to receive a standard 5 watt lamp. (Order separately)
- Alternative lamps up to 10 Watt rating may also be used.
- Can be externally pulsed if required. (See also our standard PSA Pulsed modules)

Supply voltage	12Vuc	24Vuc	115Vuc	230Vuc
Supply voltage limits			± 15%	
Supply current	420mA	210mA	45mA	25mA
Luminous intensity				
	Red		1.25Cd	
	Yellow		3.75Cd	
	Amber		3.75Cd	
	Green		2.25Cd	
	Blue		0.75Cd	
	Clear		5Cd	
Lamp rating			5W	
Temperature limits			-20C, +55C	
IEC protection class			IP65	

Example Order Code: SSA/UC/0/B15D/Red (Plus Lamp)

SSA/LED Static (Non-flashing) LED Module



- Solid-state alternative to standard Module SSA/B15D.
- Optimised LED array - up to 2.5x brighter than units employing plug-in cluster technology.
- Wide operating temperature range for superior installation flexibility.

Supply voltage	12Vdc	24Vdc	115Vac	230Vac
Supply voltage limits			± 15%	
Supply current	140mA	70mA	20mA	20mA
Number of LEDs				
	Red		30	
	Amber		30	
	Green		30	
	Blue		18	
	Clear		18	
Luminous intensity			8 Cd	
Temperature limits			-40C, +55C	
IEC protection class			IP65	

Example Order Code: SSA/DC/24/LED/Amber

For Installation Accessories please refer to page 73

D.G. Controls Limited

Cadley Hill Road, Swadlincote, Derbyshire, DE11 9TB, ENGLAND.

Tel: +44 (0) 1283 550850 Fax: +44 (0) 1283 550776 E-mail: sales@deege.com www: http://www.deege.com

Copyright © Reserved

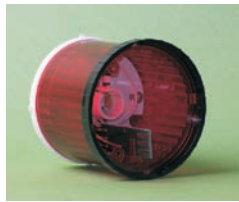
Stacking Beacon Indicators

PSA/B15D Pulsed (Flashing) Filament Lamp Module



- Pulsed version of the standard static module SSA/B15D.
- Standard 5W B15D filament lamp. (Order separately)
- Alternative lamps up to 10 watts may be used.
- Can be converted to static operation by removal of wire link on printed circuit board.
- 50% duty cycle (equal on/off periods).

Supply voltage	12Vdc	24Vdc	115Vac	230Vac
Supply voltage limits			± 15%	
Supply current	420mA	210mA	45mA	25mA
Luminous intensity	Red		1.25Cd	
	Yellow		3.75Cd	
	Amber		3.75Cd	
	Green		2.25Cd	
	Blue		0.75Cd	
	Clear		5Cd	
Lamp rating			5W	
Nominal flash rate			40 fpm (0.666 Hz)	
Temperature limits			-20C, +55C	
IEC protection class			IP65	



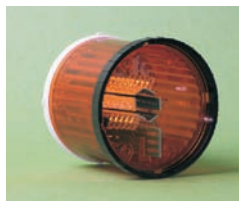
Example Order Code: PSA/DC/24/B15D/Red (Plus Lamp)

PSA/LED Pulsed (Flashing) LED Module



- Solid-state alternative to standard module PSA/B15D.
- Optimised LED array - up to 2.5x brighter than units employing plug-in cluster technology.
- Wide operating temperature range for superior installation flexibility.
- Can be converted to static operation by jumper link.

Supply voltage	12Vdc	24Vdc	115Vac	230Vac
Supply voltage limits			± 15%	
Supply current	70mA	35mA	10mA	10mA
Number of LEDs	Red		30	
	Amber		30	
	Green		30	
	Blue		18	
	Clear		18	
Luminous intensity			8Cd	
Nominal flash rate			120fpm (2Hz)	
Temperature limits			-40C, +55C	
IEC protection class			IP65	



Example Order Code: PSA/AC/115/LED/Blue

RSA/LED Revolving LED Module



- Revolving (simulated rotating) for maximum impact.
- No moving parts.
- High-density LED array.
- Wide operating temperature range for superior installation flexibility.
- Lower sustained current draw, ideal for low-power applications.

Supply voltage	12Vdc	24Vdc	115Vac	230Vac
Supply voltage limits			± 15%	
Supply current			25mA	
Number of LEDs	Red		40	
	Amber		40	
	Green		40	
	Blue		24	
	Clear		24	
Luminous Intensity			8Cd	
Nominal flash rate			150fpm (2.5Hz)	
Temperature limits			-40C, +55C	
IEC protection class			IP65	



Example Order Code: RSA/DC/24/LED/Red

XSA Xenon (Strobe) Module



- High-Intensity Xenon Strobe Module for immediate, attention-grabbing signalling.
- Can be used in any module position - no restrictions on module placement (Sounder, if fitted, must be top module).
- Wide operating temperature range for superior installation flexibility.

Supply voltage	12Vdc	24Vdc	115Vac	230Vac
Supply voltage limits			± 15%	
Supply current	360mA	180mA	120mA	60mA
Luminous Intensity	Red		8Cd	
	Yellow		24Cd	
	Amber		24Cd	
	Green		24Cd	
	Blue		8Cd	
	Clear		40Cd	
Flash Energy			2.5J	
Nominal flash rate			60fpm (1Hz)	
Temperature limits			-40C, +55C	
IEC protection class			IP65	



Example Order Code: XSA/DC/12/SH/Clear

For Installation Accessories please refer to page 73

D.G. Controls Limited

Cadley Hill Road, Swadlincote, Derbyshire, DE11 9TB, ENGLAND.

Tel: +44 (0) 1283 550850 Fax: +44 (0) 1283 550776 E-mail: sales@deegee.com www: http://www.deegee.com

Copyright © Reserved

Stacking Beacon Indicators

ASA Audible Sounder Module



- Added as top-module for audible warning.
- Three different tones available:-
 - Mono-Tone - ASA/MT
 - Pulse-Tone - ASA/PT
 - Chime-Tone - ASA/CT
- Counts as one module, allowing it to be addressed independently of the visual indicators.

Supply voltage	12Vdc	24Vdc	115Vac	230Vac
Supply voltage limits			± 15%	
Supply current	16mA	32mA	16mA	9mA
Sound frequency			2600Hz	
Sound pressure level @ 1m			92dB(A)	
Temperature limits			-20C, +55C	
IEC protection class			IP54	



Example Order Code: ASA/AC/230/PT

ESA Extender/Separator Module



- Universal 'spacer' module for additional stack height.
- Can be used to separate adjacent signals for better discrimination.
- Does not reduce maximum number of indicator modules employable.

Supply voltage		n/a
Supply voltage limits		n/a
Supply current		n/a
Temperature limits		-40C, +55C
IEC protection class		IP65



Example Order Code: ESA

BCSA Base/Connection Module and Top-Cap



- Base module upon which all stacks are built.
- 1 required for each complete stacking beacon.
- Houses all incoming terminations.
- Can mount directly onto standard conduit fittings or round conduit box.
- Wall mounting brackets and pole-mounts also available.

Supply voltage		250V max
Supply voltage limits		n/a
Supply current		Module dependent
Temperature limits		-40C, +55C
IEC protection class		IP65



Example Order Code: BCSA

For Installation Accessories please refer to page 73

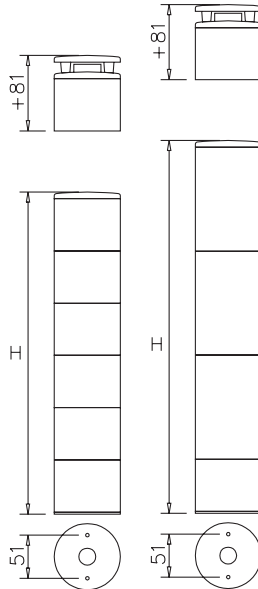
D.G. Controls Limited

Cadley Hill Road, Swadlincote, Derbyshire, DE11 9TB, ENGLAND.

Tel: +44 (0) 1283 550850 Fax: +44 (0) 1283 550776 E-mail: sales@deegee.com www: http://www.deegee.com

Copyright © Reserved

Tower Beacon Indicators



H	Series TA	Series TB
1	130	190
2	190	313
3	252	435
4	313	-
5	375	-
(Diameter 78mm)		

Complete range of Tower Beacon Indicators ready built for simple installation. Ideally suited to all types of multi-status signalling in factories, offices and community buildings.

Smooth exterior for easy 'wipe-down' when cleaning.

All units feature UV-stabilised polycarbonate lenses, available in Red, Amber, Green, Blue and Clear.

Top module can have module coloured cap (substitution by optional extra purchase) to allow all over viewing of that key module colour (not available when including Audible Sounder "+AS").

Screw terminals allow 2.5mm² connections.

Customised mixed (Lamp/LED/Strobe) towers available by quotation.

Colour combinations:- order re-arrangeable (not LED)

Single colour (Red, Amber, Green, Blue or Clear)
 Red/Green
 Red/Amber/Green
 Red/Amber/Green/Blue
 Red/Amber/Green/Blue/Clear

Additional lens sleeves can be purchased to substitute colours as desired.

51mm fixing centres suitable for mounting directly onto a standard conduit box or flat surface. Wall mounting brackets ('MB1' = Steel, 'MB2' = moulded) and Pole Mount ('PM') 'risers', white epoxy coated, available in 250, 500, 750 and 1000mm heights. 20mmØ entry for moulded compression gland ('PCG'), conduit or bush. Optional heavy-duty cast aluminium base (+PB) incorporating two M20 threaded entries. IP54 protection. 'Advance-to-IP65' with optional extra kit.

STA/B15D Static Filament Lamp



- Standard filament lamp version.
- Supplied complete with 5W lamps.
- Alternative lamps up to 10 watt rating may be used.
- Easy re-lamping by removal of only two cap screws.
- Can be externally pulsed; See our "FMU" pulser module on page 72.

Supply voltage	12Vuc	24Vuc	115Vuc	230Vuc
Supply voltage limits	± 15%			
Supply current:	420mA	210mA	45mA	22mA
Intensity:				
Red			1.25Cd	
Yellow			3.75Cd	
Amber			3.75Cd	
Green			2.25Cd	
Blue			0.75Cd	
Clear			5Cd	
Lamp rating	5W			
Temperature limits	-20C, +55C.			
Environmental protection class	IP54 (IP65 with optional IP65 Kit)			

Example Order Code: STA/UC/24/B15D/Red/Amber/Green

XTA/2.5 Joule Xenon Strobe



- High intensity Xenon Strobe version.
- Immediate attention-grabbing signalling.
- Simple flash tube replacement. (>20,000,000 flashes typical)
- Wide operating temperature range.

Supply voltage	12Vdc	24Vdc	115Vac	230Vac
Supply voltage limits	± 15%			
Supply current	330mA	170mA	60mA	30mA
Luminous intensity:				
Red			8Cd	
Amber			24Cd	
Yellow			24Cd	
Green			24Cd	
Blue			8Cd	
Clear			40Cd	
Flash Energy	2.5J			
Flash Event	SH Only			
Flash rate adjustment	60 fpm (1Hz)			
Temperature limits	-40C, +55C			

Example Order Code: XTA/AC/115/SH/2.5J/Red/Amber/Green/Blue/Clear

For Installation Accessories please refer to page 73

D.G. Controls Limited

Cadley Hill Road, Swadlincote, Derbyshire, DE11 9TB, ENGLAND.

Tel: +44 (0) 1283 550850 Fax: +44 (0) 1283 550776 E-mail: sales@deegee.com www: http://www.deegee.com

Copyright © Reserved

Tower Beacon Indicators

RTA/LED Revolving LED

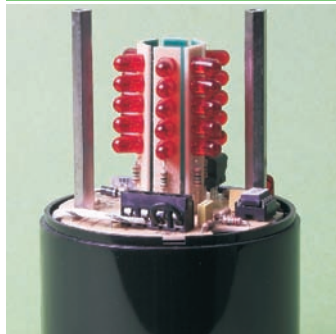


- Revolving (simulated rotating) for maximum impact.
- No moving parts.
- High density LED array.
- Lower sustained current draw, ideal for low-power applications.
- Wide operating temperature range.

Supply voltage	12Vdc	24Vdc	115Vac	230Vac
Supply voltage limits			± 15%	
Supply current		25mA		
Number of LEDs	Red		40	
	Amber		40	
	Green		40	
	Blue		24	
	Clear		24	
Luminous intensity			8Cd	
Flash/min			150fpm (2.5Hz)	
Temperature limits			-40C, +55C	
IEC protection class			IP54 (IP65 with optional IP65 Kit)	

Example Order Code: RTA/AC/115/LED/Red/Amber/Green

PTA/LED Pulsed LED

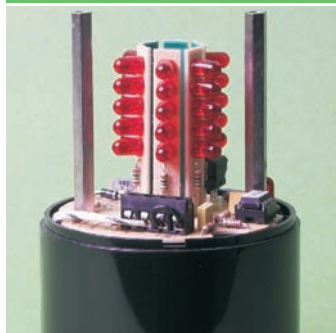


- Optimised LED array - up to 2.5x brighter than units employing plug-in clusters.
- Can be converted to static operation by jumper link.
- Wide operating temperature range.

Supply voltage	12Vdc	24Vdc	115Vac	230Vac
Supply voltage limits			± 15%	
Supply current	70mA	35mA	10mA	10mA
Number of LEDs	Red		30	
	Amber		30	
	Green		30	
	Blue		18	
	Clear		18	
Luminous intensity			8Cd	
Flash/min			120fpm (2Hz)	
Temperature limits			-40C, +55C	
IEC protection class			IP54 (IP65 with optional IP65 Kit)	

Example Order Code: PTA/DC/12/LED/Red

STA/LED Static LED



- Solid-state alternative to standard Tower STA/B15D.
- Optimised LED array - up to 2.5x brighter than units employing plug-in clusters.
- Wide operating temperature range.

Supply voltage	12Vdc	24Vdc	115Vac	230Vac
Supply voltage limits			± 15%	
Supply current	140mA	70mA	20mA	20mA
Number of LEDs	Red		30	
	Amber		30	
	Green		30	
	Blue		18	
	Clear		18	
Luminous Intensity			8Cd	
Temperature limits			-40C, +55C	
IEC protection class			IP54 (IP65 with optional IP65 Kit)	

Example Order Code: STA/AC/230/LED/Red/Amber/Green

+AS Audible Sounder Module



- Added as top section for audible warning.
- Three different tone modules:-
 - Mono-Tone +AS/MT
 - Pulse-Tone +AS/PT
 - Chime-Tone +AS/CT
- Addressed independently of indicator modules.

Supply voltage	12Vdc	24Vdc	115Vac	230Vac
Supply voltage limits			± 15%	
Supply current	16mA	32mA	16mA	9mA
Sound frequency			2600Hz	
Sound pressure level @ 1m			92dB(A)	
Temperature limits			-20C, +55C	
IEC protection class			IP54	

Example Order Code: STA/DC/24/B15D/Red/Green + AS/MT

For Installation Accessories please refer to page 73

D.G. Controls Limited

Cadley Hill Road, Swadlincote, Derbyshire, DE11 9TB, ENGLAND.

Tel: +44 (0) 1283 550850 Fax: +44 (0) 1283 550776 E-mail: sales@deegee.com www: http://www.deegee.com

Copyright © Reserved

Tower Beacon Indicators

STB/B15D Static Filament Lamp Module

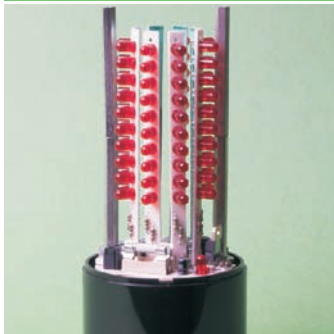


- Standard filament lamp version.
- Supplied complete with 12W (12/24V) or 15W (115/230V) lamps.
- Easy re-lamping by removal of only two cap screws.
- Can be externally pulsed; See our "FMU" pulser module on page 72.

Supply voltage	12Vuc	24Vuc	115Vuc	230Vuc
Supply voltage limits			± 15%	
Supply current:	1A	500mA	130mA	65mA
Intensity:	Red	3Cd		3.75Cd
	Yellow	9Cd		11.25Cd
	Amber	9Cd		11.25Cd
	Green	5.5Cd		6.75Cd
	Blue	2Cd		2.25Cd
	Clear	12Cd		15Cd
Lamp rating	12W			15W
Temperature limits			-20C, +55C.	
Environmental protection class			IP54 (IP65 with optional IP65 Kit)	

Example Order Code: STB/UC/230/B15D/Red/Amber/Green

RTB/LED Revolving LED



- Revolving (simulated rotating) for maximum impact.
- No moving parts.
- High density LED array.
- Lower sustained current draw, ideal for low-power applications.
- Wide operating temperature range.

Supply voltage	12Vdc	24Vdc	115Vac	230Vac
Supply voltage limits			± 15%	
Supply current			50mA	
Number of LEDs	Red		80	
	Amber		80	
	Green		80	
	Blue		48	
	Clear		48	
Luminous intensity			16Cd	
Flash/min			150fpm (2.5Hz)	
Temperature limits			-40C, +55C	
IEC protection class			IP54 (IP65 with optional IP65 Kit)	

Example Order Code: RTB/AC/115/LED/Red/Amber/Green

PTB/LED Pulsed LED



- Optimised LED array - up to 5x brighter than units employing plug-in clusters.
- Can be converted to static operation by jumper link.
- Wide operating temperature range.

Supply voltage	12Vdc	24Vdc	115Vac	230Vac
Supply voltage limits			± 15%	
Supply current	140mA	70mA	20mA	20mA
Number of LEDs	Red		60	
	Amber		60	
	Green		60	
	Blue		36	
	Clear		36	
Luminous intensity			16Cd	
Flash/min			120fpm (2Hz)	
Temperature limits			-40C, +55C	
IEC protection class			IP54 (IP65 with optional IP65 Kit)	

Example Order Code: PTB/DC/24/LED/Red/Green

STB/LED Static LED



- Solid-state alternative to standard Tower STB/B15D.
- Optimised LED array - up to 5x brighter than units employing plug-in clusters.
- Wide operating temperature range.

Supply voltage	12Vdc	24Vdc	115Vac	230Vac
Supply voltage limits			± 15%	
Supply current	280mA	140mA	40mA	40mA
Number of LEDs	Red		60	
	Amber		60	
	Green		60	
	Blue		36	
	Clear		36	
Luminous Intensity			16Cd	
Temperature limits			-40C, +55C	
IEC protection class			IP54 (IP65 with optional IP65 Kit)	

Example Order Code: STB/DC/12/LED/Red/Amber/Green

For Installation Accessories please refer to page 73

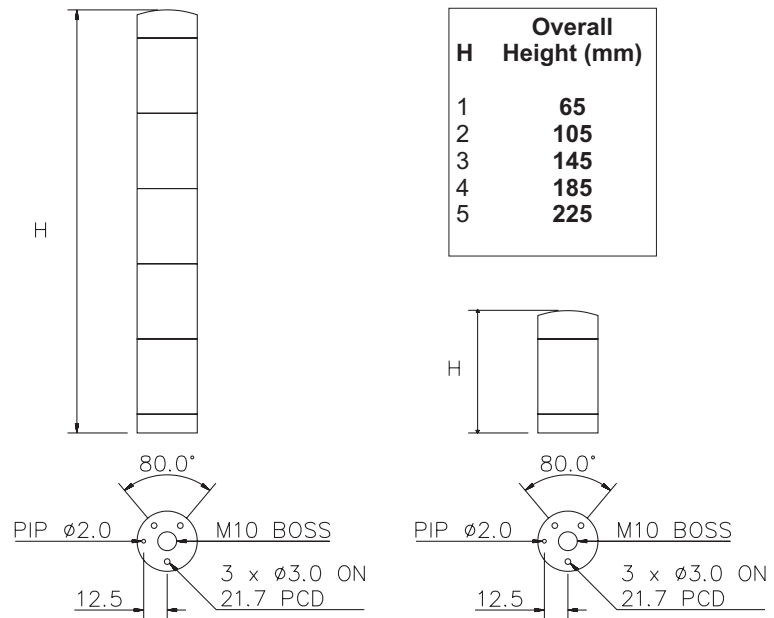
D.G. Controls Limited

Cadley Hill Road, Swadlincote, Derbyshire, DE11 9TB, ENGLAND.

Tel: +44 (0) 1283 550850 Fax: +44 (0) 1283 550776 E-mail: sales@deegee.com www: http://www.deegee.com

Copyright © Reserved

Series TC Micro-Towers and Micro-Beacons



A unique range of IP65 rated Micro Beacon Lamps and Tower Indicators. Unobtrusive yet definitive and incorporating high brilliance LED illumination, these are ideal for industrial, fire, security and automation markets.

The STC/LED range is manufactured either as a single Micro Beacon with point-of-sale choice of 6 lens colours Red, Amber, Green, Blue, Clear or Yellow, or as a 2, 3, 4 or maximum 5-module Tower, each of the towers being supplied with all 6 colour lenses, allowing for customer colour choice and position.

With a diameter of only 32mm, a single Micro Beacon is 65mm high, and a 5-module Tower a compact 225mm high.

Moulded totally in polycarbonate, these Micro devices bring an attractive modern image and high brightness signalling, with minimum overall size to the factory automation, visual indication and machinery building sector.

Pole-mount: PM/250/STC
Wall Mounting Brackets: MB12

STC/LED Micro-Tower Indicators and Micro-Beacons

- Mounting by single M10 hole, with anti-rotation offset spigot (optional use).
- M20 adapter is available which allows easy mounting into conventional conduit entries.
- 230V AC, 115V AC or 24V UC (AC or DC) models.
- Typical LED life in excess of 100,000 hours
- Low maintenance and low power consumption.
- All-polycarbonate IP65 construction.
- Attractive modern image and high brightness signalling.
- Ready-connected cables for installation.

Supply voltage	24Vuc	115Vac	230Vac
Supply voltage limits		± 15%	
Supply current	36mA	18mA	18mA
(Per module)			
Number of LEDs	8 high-intensity LEDs per module		
Temperature limits	-40C, +55C		
IEC protection class	IP65		

Example Order Code: STC/UC/24/LED/4

For Installation Accessories please refer to page 73

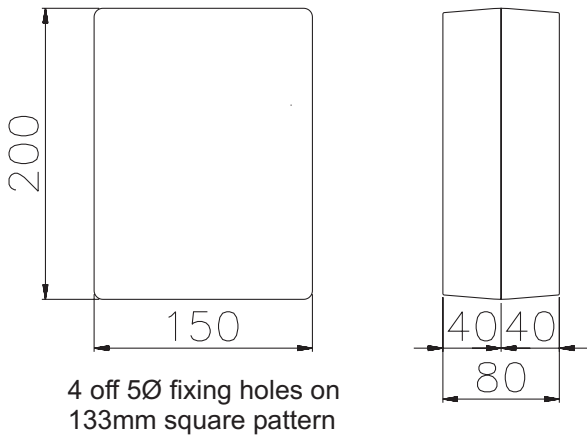
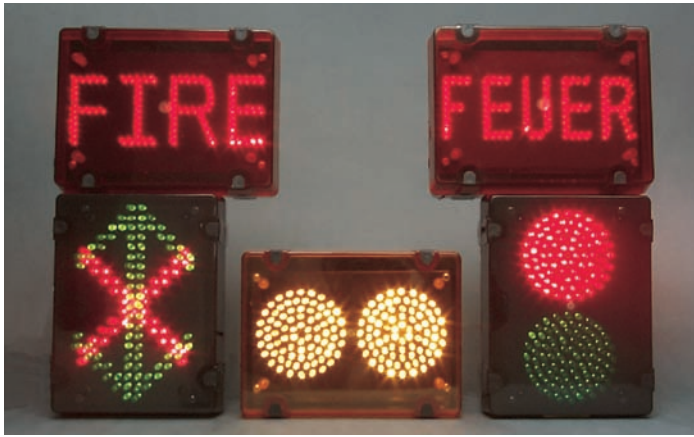
D.G. Controls Limited

Cadley Hill Road, Swadlincote, Derbyshire, DE11 9TB, ENGLAND.

Tel: +44 (0) 1283 550850 Fax: +44 (0) 1283 550776 E-mail: sales@deegee.com www: http://www.deegee.com

Copyright © Reserved

LED Indicator Panels



Latest technology Light Emitting Diodes (LEDs) configured into a high-density matrix. This advanced range of LED Indicator Panels is ideally suited to a wide variety of applications such as Loading-Bay Signalling, Shutter Door Status, On-Site Traffic Management, Dockside Signalling, Factory Control, "FIRE" Alarm Warning, "STOP" Signalling, etc.

Standard 24Vdc, 115Vac and 230Vac models are available and all units are enclosed in an IP65 UV-stabilised polycarbonate housing (200x150x80mm) for protection against the elements.

Single colour units employ a front lens the same colour as the indicating LEDs, whilst dual colour units employ a neutral 'smoked' front lens.

Standard colour combinations are shown; other colours and colour combinations available from a choice of Red, Amber, Green, Blue or Clear, available to special order.

IPN/LED/001 - Direction Indicator



- Direction Status Indicator.
- Can show any combination of green-arrow-left, green-arrow-right and red-cross.
- Function selection by applying power to relevant terminal.
- Can be rotated 90° to indicate up/down.

Supply voltage		24Vdc	115Vac	230Vac
Supply current	Red Cross	100mA	40mA	40mA
	One Green Arrow	120mA	120mA	65mA
	Two Green Arrows	160mA	160mA	100mA
Supply tolerance			±15%	
Luminous intensity	Red Cross		84Cd	
	One Green Arrow		108Cd	
	Two Green Arrows		144Cd	
Temperature limits			-40C, +55C	
Environmental protection class			IP65	

Example Order Code: IPN/DC/24/LED/001/Red/Green

IPN/LED/002 - "Traffic Light"



- Stop/Go "Traffic-Light" Status Indicator.
- Ideal for Loading Bay and Traffic Management applications.
- High-density LED-matrix light-source - 80 Red LEDs, 80 Green LEDs.
- Long-life (>100,000 hours typical) LEDs.

Supply voltage		24Vdc	115Vac	230Vac
Supply current	Red	250mA	60mA	30mA
	Green	250mA	60mA	30mA
Supply tolerance			±15%	
Luminous intensity	Red		180Cd	
	Green		180Cd	
Temperature limits			-40C, +55C	
Environmental protection class			IP65	

Example Order Code: IPN/AC/230/LED/002/Red/Green

For Installation Accessories please refer to page 73

D.G. Controls Limited

Cadley Hill Road, Swadlincote, Derbyshire, DE11 9TB, ENGLAND.

Tel: +44 (0) 1283 550850 Fax: +44 (0) 1283 550776 E-mail: sales@deegee.com www: http://www.deegee.com

Copyright © Reserved

LED Indicator Panels

IPN/LED/003 - "FIRE" Flashing Indicator



- Dedicated, clear, distinct and insistent warning signal.
- Pulsed/Static operation by simple jumper link.
- Ideal for wide-area and large office environments.
- High-density LED-matrix light-source.

Supply voltage		24Vdc	115Vac	230Vac
Supply current	Red	180mA	60mA	30mA
Supply tolerance			±15%	
Flash/min			150fpm (2.5Hz)	
Luminous intensity	Red		180Cd	
Temperature limits			-40C, +55C	
Environmental protection class			IP65	

Example Order Code: IPN/DC/24/LED/003/Red

IPN/LED/004 - "FEU/FEUER" Flashing Indicator



- Dedicated, clear, distinct and insistent warning signal.
- Pulsed/Static operation by simple jumper link.
- Choice of 'FEU' and 'FEUER' flashing signals with additional alternating 'FEU/FEUER' flashing mode.

Supply voltage		24Vdc	115Vac	230Vac
Supply current	Red	180mA	60mA	30mA
Supply tolerance			±15%	
Flash/min			150fpm (2.5Hz)	
Luminous intensity	Red		180Cd	
Temperature limits			-40C, +55C	
Environmental protection class			IP65	

Example Order Code: IPN/DC/24/LED/004/Red

IPN/LED/005 - Dual Alternate Flashing Indicator



- Dual colour Indicator.
- Alternate and Concurrent Flashing modes.
- High-density LED-matrix light-source - 80 LEDs per channel.
- Long-life (>100,000 hours typical) LEDs.
- Available in Red, Amber, Green, Blue and Clear.

Supply voltage		24Vdc	115Vac	230Vac
Supply current		180mA	60mA	30mA
Supply tolerance			±15%	
Flash/min			40, 120fpm	
Luminous intensity			180Cd	
Temperature limits			-40C, +55C	
Environmental protection class			IP65	

Example Order Code: IPN/AC/230/LED/005/Amber/Amber

IPN/LED/008 - Telephone Ring Initiated Flashing Indicator



- High-density LED-matrix light-source.
- Long-life (>100,000 hours typical) LEDs.
- Available in Red, Amber, Green, Blue and Clear.

Supply voltage		24Vdc	115Vac	230Vac
Supply current		180mA	60mA	30mA
Supply tolerance			±15%	
Flash/min			40, 120fpm	
Luminous intensity			180Cd	
Temperature limits			-40C, +55C	
Environmental protection class			IP65	

Example Order Code: IPN/AC/230//TROLED/008/Amber

For Installation Accessories please refer to page 73

D.G. Controls Limited

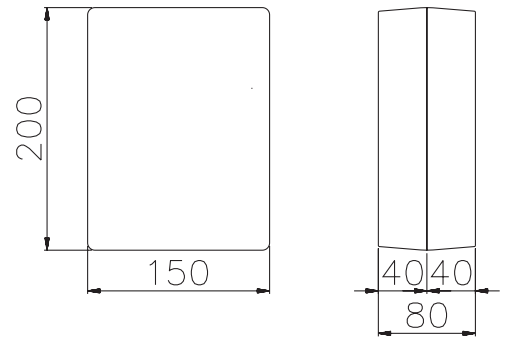
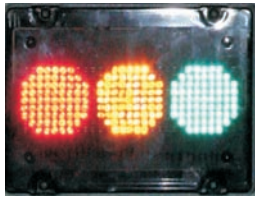
Cadley Hill Road, Swadlincote, Derbyshire, DE11 9TB, ENGLAND.

Tel: +44 (0) 1283 550850 Fax: +44 (0) 1283 550776 E-mail: sales@deegee.com www: http://www.deegee.com

Copyright © Reserved

LED Matrix Displays

IPN Matrix Display



Innovative display system ideal for small-run custom displays.

Up-to 3 individually addressable control channels drive a 29 x 9 LED matrix allowing simple shapes, words (three to six letters) or coloured panels to be created. End-user cost is reduced by factory-fit of LEDs to your requirements.

Typical examples, as above, include a three-way “traffic light”, “SPACES” and “ON AIR”. Other examples include LOCKED, FREI, ZIEHEN, LAGER, TOR, TÜR, SORTIE, EXIT, AUFZUG, LINKS, RECHTS, KASSE - Contact us for a quotation!

All-polycarbonate IP65 enclosure with either coloured or smoked (neutral) front cover. Can be supplied for use with 24Vdc, 115Vac or 230Vac power supplies.

Example Order Code: IPN/MATRIX/AC/230/Red/ON AIR

FTD/100 Fixed Text Display



95mm high text with individual letters, numerals and characters. Any word or sentence in quick-clipped-together formation. High brilliance LED text. Displays supplied in landscape (horizontal) or portrait (vertical) readout.

Microprocessor control incorporates supply voltage (24V AC or DC) conditioning with choice of full-on brilliance, reduced brilliance, static all-on, pulsed all-on, or pulsed/dimmed selected sections of display. Red, Amber, Green or White text.

OEM style product factory-assembled for use with custom enclosure or wall-fixing. Supplied ready for direct DIN Rail mounting.

Example Order Code: FTD100/Red/EMERGENCY

For Installation Accessories please refer to page 73

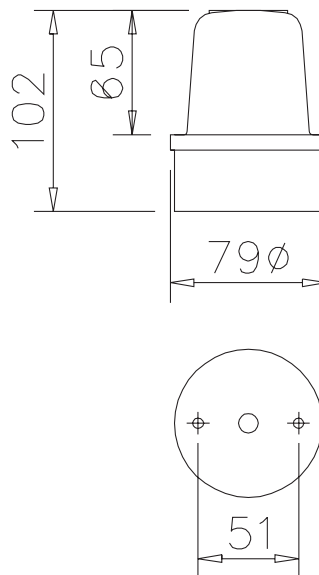
D.G. Controls Limited

Cadley Hill Road, Swadlincote, Derbyshire, DE11 9TB, ENGLAND.

Tel: +44 (0) 1283 550850 Fax: +44 (0) 1283 550776 E-mail: sales@deegee.com www: <http://www.deegee.com>

Copyright © Reserved

Series D



Miniature industrial hazard warning beacon ideal for general purpose and localised signalling applications. Fixing drillouts on 51mm centres facilitate direct conduit box mounting where advantageous (gasket supplied). Cable access is afforded by a central 10mmØ entry in base. High grade engineering, UV-stabilised plastics (ABS Base, Polycarbonate Lens).

Cage Guard : G1
Wall Mounting Brackets : MB1, MB1A, MB2/White or MB2/Black
Beacon Pole Mount : PM/250B

XFD/2.5 Joule Xenon Strobe Beacon

- Low-energy, high-intensity xenon strobe beacon.
- Repetitive Single Flash (SH) model.
- Long-life xenon tube - typically > 20,000,000 flashes.
- 12Vdc, 24Vdc, 115Vac and 230Vac 2.5 Joule models.
- 360° All-round and 270° All-over visibility.
- DC to AC converter (UC-RECT) module available.

Supply voltage	12Vdc	24Vdc	115Vac	230Vac
Supply voltage limits			± 15%	
Supply current	330mA	170mA	60mA	30mA
Luminous intensity				
Red			8Cd	
Amber			24Cd	
Green			24Cd	
Blue			8Cd	
Clear			40Cd	
Flash Energy			2.5J	
Flash Event			SH Only	
Flash rate adjustment			60 fpm (1Hz)	
Temperature limits			-40C, +55C	
IEC protection class			IP65	

Example Order Code: XFD/DC/12/SH/2.5J/Red

PSD/B15D Pulsed (Flashing) Beacon

- Solid-state operation.
- 12Vdc, 24Vdc, 115Vac and 230Vac versions.
- 24Vac version available to order - see 24Vdc versions for specification but order as PSD/AC/24/B15D/*.
- 50% duty cycle (equal on/off periods).
- 360° All-round and 270° All-over visibility.

Supply voltage	12Vdc	24Vdc	115Vac	230Vac
Supply voltage limits			± 15%	
Supply current	1A	500mA	130mA	65mA
Luminous intensity				
Red	3Cd			4Cd
Amber	9Cd			11Cd
Green	6Cd			7Cd
Blue	2Cd			2Cd
Clear	12Cd			15Cd
Lamp rating	12W			15W
Flash/min			40fpm (0.667Hz)	
Temperature limits			-20C, +55C	
IEC protection class			IP65	

Example Order Code: PSD/AC/230/B15D/Amber

For Installation Accessories please refer to page 73

D.G. Controls Limited

Cadley Hill Road, Swadlincote, Derbyshire, DE11 9TB, ENGLAND.

Tel: +44 (0) 1283 550850 Fax: +44 (0) 1283 550776 E-mail: sales@deegeee.com www: http://www.deegeee.com

Copyright © Reserved

Series D

SBD Static (Non-flashing) Beacon

- Continuously rated indicator lamps.
- Ideal slave unit to conventional **deege** pulsed beacons (not LED).
- Available in the standard voltages of 12V, 24V, 50V, 115V and 230V. AC or DC operation (bulb supplied).
- Also available without fitted bulb (Voltage designation 'O').
- 360° All-round and 270° All-over visibility.

Supply voltage		12Vuc	24Vuc	50Vuc	115Vuc	230Vuc
Supply voltage limits				± 15%		
Supply current		1A	500mA	300mA	130mA	65mA
Luminous intensity	Red		3Cd	4Cd		4Cd
	Amber		9Cd	11Cd		11Cd
	Green		6Cd	7Cd		7Cd
	Blue		2Cd	2Cd		2Cd
	Clear		12Cd	15Cd		15Cd
Lamp rating			12W	15W		15W
Temperature limits				-20C, +55C		
IEC protection class				IP65		

Example Order Code: SBD/UC/115/B15D/Green

RFD/LED Revolving LED Beacon

- Solid-state LED beacon with revolving (simulated rotating) light effect.
- 360° 'all-round' visibility.
- No moving parts.
- High density LED matrix.
 - Long-life LEDs (>100,000 hours typical)
- Ultra-low current draw relative to achieved light output.

Supply voltage		12Vdc	24Vdc	115Vac	230Vac
Supply voltage limits				± 15%	
Supply current				25mA	
Number of LEDs	Red			40	
	Amber			40	
	Green			40	
	Blue			24	
	Clear			24	
Luminous intensity				8Cd	
Flash/min				150fpm (2.5Hz)	
Temperature limits				-40C, +55C	
IEC protection class				IP65	

Example Order Code: RFD/AC/230/LED/Red

PSD/LED Pulsed (Flashing) LED Beacon

- Pulsed beacon incorporating high density LED matrix.
- 360° 'all-round' visibility.
- Long-life LEDs (>100,000 hours typical).
- User selectable pulsed/static (flashing/non-flashing) operation by simple jumper link change.
- Very low current draw.

Supply voltage		12Vdc	24Vdc	115Vac	230Vac
Supply voltage limits				± 15%	
Supply current		70mA	35mA	10mA	10mA
Number of LEDs	Red			30	
	Amber			30	
	Green			30	
	Blue			18	
	Clear			18	
Luminous intensity				8Cd	
Flash/min				120fpm (2Hz)	
Temperature limits				-40C, +55C	
IEC protection class				IP65	

Example Order Code: PSD/AC/115/LED/Amber

SBD/LED Static (Non-flashing) LED Beacon

- Static (non-flashing) LED beacon
- 360° 'all-round' visibility.
- High-density LED Matrix.
- Long-life LEDs (>100,000 hours typical).
- Ideal low-current slave to conventional **deege** pulsed beacons (not LED).

Supply voltage		12Vdc	24Vdc	115Vac	230Vac
Supply voltage limits				± 15%	
Supply current		140mA	70mA	20mA	20mA
Number of LEDs	Red			30	
	Amber			30	
	Green			30	
	Blue			18	
	Clear			18	
Luminous Intensity				8Cd	
Temperature limits				-40C, +55C	
IEC protection class				IP65	

Example Order Code: SBD/DC/24/LED/Green

For Installation Accessories please refer to page 73

D.G. Controls Limited

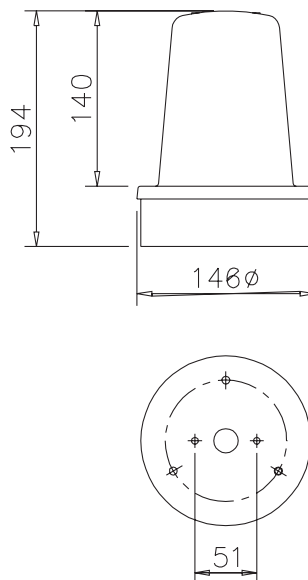
Cadley Hill Road, Swadlincote, Derbyshire, DE11 9TB, ENGLAND.

Tel: +44 (0) 1283 550850 Fax: +44 (0) 1283 550776 E-mail: sales@deege.com www: http://www.deege.com

Copyright © Reserved



Series E



The industrial hazard warning beacon setting the standard against which all others are measured. Incorporates fixing drillouts on 51mm centres for direct conduit box mounting (gasket supplied) with alternative 3 drillouts on 100mm PCD. Central 20mmØ entry in base and two side flat pads to allow for alternative entries. High grade engineering, UV-stabilised plastics (ABS Base, Polycarbonate Lens).

Cage Guard : G4
Wall Mounting Brackets : MB1, MB1A, MB2/White or MB2/Black
Beacon Pole Mount : PM/250B

RFE/B15D Rotating Mirror Beacon

- Most popular rotating mirror beacon.
- Unique 'quiet-drive' system incorporating direct motor/turtable self-adjusting coupling and long life ball-race bearing. Eliminates nuisance of drive belt breakage and reduces drive-train noise.
- Beacon/Sounder [92dB(A) IP54] combination also available (see page 68).
- 360° All-round visibility.
- 24Vac, 50Vac, 110Vdc and 240Vdc models also available.

Supply voltage	12Vdc	24Vdc	115Vac	230Vac
Supply voltage limits			± 15%	
Supply current	4.15A	2.15A	540mA	270mA
Luminous intensity				
Red	64Cd			80Cd
Amber	192Cd			240Cd
Green	115Cd			143Cd
Blue	38Cd			48Cd
Clear	256Cd			319Cd
Lamp rating	48W			60W
Reflector		80mm, ±3°		
Flash/min		180fpm (3Hz)		
Temperature limits		-20C, +55C		
IEC protection class		IP65		

Example Order Code: RFE/AC/230/B15D/Red

RFE/TH Rotating Mirror Beacon with Tungsten Halogen Lamp

- High intensity H1 Tungsten Halogen version.
- Unique 'quiet-drive' system incorporating direct motor/turtable coupling and long life ball-race bearing. Eliminates nuisance of drive belt breakage and reduces drive-train noise.
- Beacon/Sounder [92dB(A) IP54] combination also available (see page 68).
- 360° All-round visibility.
- 115Vac and 230Vac versions available with external Transformer Box (ACTE) for low-voltage lamp.

Supply voltage	12Vdc	24Vdc
Supply voltage limits		± 15%
Supply current	4.75A	3A
Luminous intensity		
Red	146Cd	187Cd
Amber	439Cd	562Cd
Green	264Cd	337Cd
Blue	88Cd	112Cd
Clear	586Cd	750Cd
Lamp rating	55W	70W
Reflector		80mm, ±3°
Flash/min		180fpm (3Hz)
Temperature limits		-20C, +55C
IEC protection class		IP65

Example Order Code: RFE/DC/24/TH70/Blue

For Installation Accessories please refer to page 73

D.G. Controls Limited

Cadley Hill Road, Swadlincote, Derbyshire, DE11 9TB, ENGLAND.

Tel: +44 (0) 1283 550850 Fax: +44 (0) 1283 550776 E-mail: sales@deegee.com www: http://www.deegee.com

Copyright © Reserved

Series E

XFE/11 Joule and XFE/5 Joule Xenon Strobe Beacon

- High energy xenon strobe beacon.
- Repetitive Dual Flash (DH) and Single Flash (SH) models.
- Long-life xenon tube - typically > 20,000,000 flashes.
- 12Vdc, 24Vdc, 115Vac and 230Vac 11 Joule models.
- 12-100Vdc (12-72Vac) automatic voltage-ranging 5 Joule model (VRA).
- /SYNC terminals to allow multiple units to be flashed in synchronisation.
- 360° All-round and 270° All-over visibility.
- Special 240Vdc model also available.

Supply voltage	12Vdc	24Vdc	115Vac	230Vac	VRA
Supply voltage limits			± 15%		n/a
Supply current	1.36A	680mA	160mA	80mA	7W
Luminous intensity					20Cd
	Red		44Cd		60Cd
	Amber		132Cd		60Cd
	Green		132Cd		20Cd
	Blue		44Cd		100Cd
	Clear		220Cd		5J
Flash Energy			11J		SH Only
Flash Event			DH or SH		
Flash rate adjustment			30, 45, 60, 90 fepm		
Temperature limits			-40C, +55C		
IEC protection class			IP65		

Example Order Code: XFE/AC/115/DH/11J/Amber

PSE/B15D Pulsed (Flashing) Beacon

- Solid-state operation.
- 12Vdc, 24Vdc, 115Vac and 230Vac versions.
- 24Vac version available to order - See 24Vdc versions for specification.
- 50% duty cycle (equal on/off periods).
- Terminals on-board for additional slave beacons - up to rated maximum slave load.
- 360° All-round and 270° All-over visibility.
- Alternative lamps and lamp caps available, e.g. E14.

Supply voltage	12Vdc	24Vdc	115Vac	230Vac
Supply voltage limits			± 15%	
Supply current	4A	2A	520mA	260mA
Luminous intensity				
	Red	13Cd		15Cd
	Amber	38Cd		45Cd
	Green	23Cd		27Cd
	Blue	8Cd		9Cd
	Clear	50Cd		60Cd
Lamp rating		48W		60W
Max slave load	21W	48W	120W	300W
Flash/min			40fpm (0.667Hz)	
Temperature limits			-20C, +55C	
IEC protection class			IP65	

Example Order Code: PSE/DC/12/B15D/Green

SBE Static (Non-flashing) Beacon

- 12V, 24V, 50V, 115V and 230V models. AC or DC operation (B15D lamp supplied).
- 230Vac compact fluorescent model (CFT) also available.
- Can be supplied without bulb (Voltage designation 'O').
- Ideal slave unit (not CFT) to conventional **deege** pulsed beacons (not LED).
- 360° All-round and 270° All-over visibility.
- Alternative lamps and lamp caps available, e.g. E14.

		Filament Lamp				CFT
Supply voltage	12Vdc	24Vdc	50Vdc	115Vac	230Vac	230Vac
Supply voltage limits			± 15%			
Supply current	4A	2A	300mA	520mA	260mA	45mA
Luminous intensity						
	Red	13Cd	4Cd	15Cd	15Cd	12Cd
	Amber	38Cd	11Cd	45Cd	45Cd	45Cd
	Green	23Cd	7Cd	27Cd	27Cd	27Cd
	Blue	8Cd	2Cd	9Cd	9Cd	9Cd
	Clear	50Cd	15Cd	60Cd	60Cd	60Cd
Lamp rating		48W	15W	60W	60W	10W
Temperature limits				-20C, +55C		
IEC protection class				IP65		

Example Order Code: SBE/AC/230/CFT/Red

MFE/LED Multi-function LED Beacon

- High density matrix of long-life LEDs.
- Multiple functions selectable by either on-board jumper links or external switching.
- 360° All-round visibility.
- Single unit can indicate eight different switchable warning signals: -
 - Static
 - Pulsed 3 speeds 40, 120 and 300 fpm
 - Wig-Wag 2 styles 120 cycles per minute
 - Chasing 60 cycles per minute
 - Off

Supply voltage	12Vdc	24Vdc	115Vac	230Vac
Supply voltage limits			± 15%	
Supply current	160mA	160mA	9mA	9mA
Number of LEDs				
	Red		48	
	Amber		48	
	Green		48	
	Blue		24	
	Clear		24	
Luminous Intensity			24Cd	
Flash/min			Mode Dependent	
Temperature limits			-40C, +55C	
IEC protection class			IP65	

Example Order Code: MFE/DC/12/LED/Red

For Installation Accessories please refer to page 73

D.G. Controls Limited

Cadley Hill Road, Swadlincote, Derbyshire, DE11 9TB, ENGLAND.

Tel: +44 (0) 1283 550850 Fax: +44 (0) 1283 550776 E-mail: sales@deege.com www: http://www.deege.com

Copyright © Reserved



Series E



RFE/RMLED Rotating Mirror LED Beacon

- Traditional rotating mirror with solid-state light source.
- High-output **AND** Low-power!
- 360° All-round visibility.
- Long-life LED (>100,000 hours typical).
- Ultra-low current draw means more units can be powered from a single source.
- Specifically ideal for systems that feature battery back-up in case of failure of the primary power source.

Supply voltage	12Vdc - 24Vdc		115Vac - 230Vac	
Supply voltage limits			± 15%	
Supply power	5W		7W	
Luminous intensity	Red		278Cd	
	Amber		163Cd	
	Green		178Cd	
	Blue		100Cd	
	Clear		278Cd	
Flash/min			120fpm (2Hz)	
Temperature limits			-20C, +55C	
IEC protection class			IP65	



Example Order Code: RFE/DC/12-24/RMLED/Red



RFE/LED Revolving and PSE/LED Pulsed (Flashing) LED Beacons

- Solid-state LED beacon with either revolving (simulated rotating) or Pulsed light effect.
- 360° All-round visibility.
- No moving parts.
- Long-life LEDs (>100,000 hours typical).
- 50% duty cycle (equal on/off periods).
- User selectable pulsed/static (flashing/non-flashing) operation by simple jumper link change.
- Very low current draw.

Supply voltage	12Vdc	24Vdc	115Vac	230Vac
Supply voltage limits	± 15%			
Supply current (RFE/LED)	100mA	100mA	100mA	100mA
Supply current (PSE/LED)	300mA	150mA	50mA	25mA
Number of LEDs	Red		120	
	Amber		120	
	Green		120	
	Blue		72	
	Clear		72	
Luminous intensity			16Cd	
Flash/min (RFE/LED)			150fpm (2.5Hz)	
Flash/min (PSE/LED)			120fpm (2Hz)	
Temperature limits			-40C, +55C	
IEC protection class			IP65	



Example Order Code: RFE/AC/230/LED/Red or PSE/DC/24/LED/Blue



SBE/LED Static (Non-flashing) LED Beacon - 360° All-round viewing

- Static (non-flashing) LED beacon
- 360° All-round visibility.
- Meets ICAO requirements for Low Intensity Obstruction Warning (Red only).
- High-density LED Matrix.
- Long-life LEDs (>100,000 hours typical).
- Ideal low-current slave to conventional **deege** pulsed beacons (not LED).

Supply voltage	12Vdc	24Vdc	115Vac	230Vac
Supply voltage limits	± 15%			
Supply current	600mA	300mA	100mA	50mA
Number of LEDs	Red		120	
	Amber		120	
	Green		120	
	Blue		72	
	Clear		72	
Luminous Intensity			16Cd	
Temperature limits			-40C, +55C	
IEC protection class			IP65	



Example Order Code: SBE/DC/12/LED/Green



SBE/AOV-LED (Non-flashing) Static LED Beacon - 360° All-round + 270° All-over viewing

- Static (non-flashing) LED beacon.
- 360° All-round' and 270° All-over visibility.
- Meets ICAO requirements for Low Intensity Obstruction Warning (Red only).
- Additional 48Vdc model for specialist applications.
- High-density LED Matrix.
- Long-life LEDs (>100,000 hours typical).
- Ideal low-current slave to conventional **deege** pulsed beacons (not LED).

Supply voltage	12Vdc	24Vdc	48Vdc	115Vac	230Vac
Supply voltage limits	± 15%				
Supply current	800mA	400mA	400mA	120mA	60mA
Number of LEDs	Red		160		
	Amber		160		
	Green		160		
	Blue		96		
	Clear		96		
Luminous Intensity			16Cd		
Temperature limits			-40C, +55C		
IEC protection class			IP65		



Example Order Code: SBE/DC/48/AOV-LED/Red

For Installation Accessories please refer to page 73

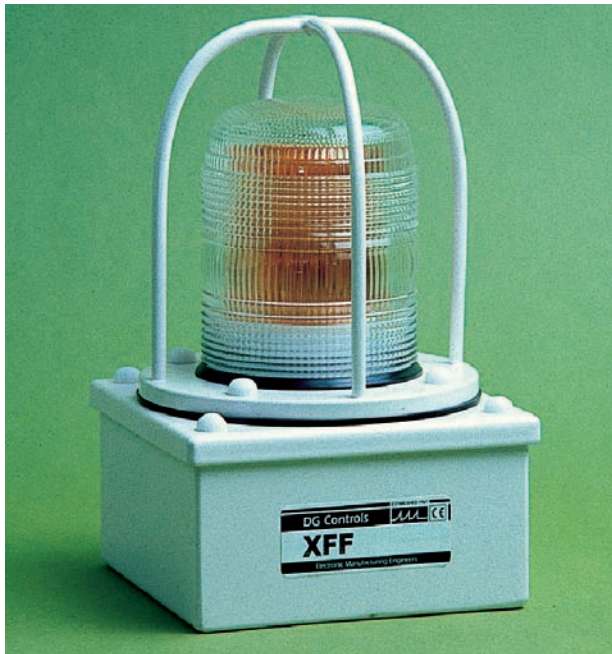
D.G. Controls Limited

Cadley Hill Road, Swadlincote, Derbyshire, DE11 9TB, ENGLAND.

Tel: +44 (0) 1283 550850 Fax: +44 (0) 1283 550776 E-mail: sales@deege.com www: http://www.deege.com

Copyright © Reserved

Series F



EPC Coated Mild Steel with Integral Guard



AISI 316 Stainless Steel

Heavy duty beacons with glass fresnel dome. Supplied either 'XFF' with Mild Steel base incorporating integral cage guard or 'XFF/SS' with Stainless Steel base for harsh environments (including acidic). Mild Steel version incorporates base fixing on 51mm centres and central underside 20mmØ cable entry. Stainless Steel version features fixing holes on 120 x 165mm centres and side 20.5mmØ cable entry.

Cage Guard : Series F - Guard Included Series F/SS - No Guard
Wall Mounting Brackets: MB1 (Series F only)

XFF/11 Joule and XFF/5 Joule Xenon Strobe Beacon

- High-intensity xenon strobe beacon.
- Repetitive Double Flash (DH) or Single Flash (SH) models.
- Long-life xenon tube - typically > 20,000,000 flashes.
- 12Vdc, 24Vdc, 115Vac and 230Vac 11 Joule models.
- 12-100Vdc (12-72Vac) automatic voltage-ranging 5 Joule model (VRA).
- /SYNC terminals to allow multiple units to be flashed in synchronisation.
- 360° All-round and 270° All-over visibility.
- Special 240Vdc model also available.

Supply voltage	12Vdc	24Vdc	115Vac	230Vac	VRA
Supply voltage limits			± 15%		n/a
Supply current	1.36A	680mA	160mA	80mA	7W
Luminous intensity	Red		115Cd		52Cd
	Amber		264Cd		120Cd
	Green		264Cd		120Cd
	Blue		88Cd		40Cd
	Clear		440Cd		200Cd
Flash Energy			11J		5J
Flash Event			DH or SH		SH Only
Flash rate adjustment			30, 45, 60, 90 fepm		
Temperature limits			-40C, +55C		
IEC protection class			IP65		

Example Order Code: XFF/UC/24/DH/11J/Red or XFF/SS/UC/24/DH/11J/Red

RFF/LED Revolving LED Beacon

- Solid-state LED beacon with revolving (simulated rotating) light effect.
- 360° 'all-round' visibility.
- No moving parts.
- High density LED matrix.
- Long-life LEDs (>100,000 hours typical).
- Ultra-low current draw compared to achieved light output.

Supply voltage	12Vdc	24Vdc	115Vac	230Vac
Supply voltage limits			± 15%	
Supply current			25mA	
Number of LEDs	Red		40	
	Amber		40	
	Green		40	
	Blue		24	
	Clear		24	
Luminous intensity			8Cd	
Flash/min			150fpm (2.5Hz)	
Temperature limits			-40C, +55C	
IEC protection class			IP65	

Example Order Code: RFF/AC/230/LED/Red or RFF/SS/AC/230/LED/Red

For Installation Accessories please refer to page 73

D.G. Controls Limited

Cadley Hill Road, Swadlincote, Derbyshire, DE11 9TB, ENGLAND.

Tel: +44 (0) 1283 550850 Fax: +44 (0) 1283 550776 E-mail: sales@deegee.com www: http://www.deegee.com

Copyright © Reserved



Series F



PSF/LED Pulsed (Flashing) LED Beacon

- Pulsed beacon incorporating high density LED matrix.
- 360° All-round visibility.
- Long-life LEDs (>100,000 hours typical).
- User selectable pulsed/static (flashing/non-flashing) operation by simple jumper link change.
- Very low current draw.

Supply voltage	12Vdc	24Vdc	115Vac	230Vac
Supply voltage limits			± 15%	
Supply current	70mA	35mA	10mA	10mA
Number of LEDs	Red		30	
	Amber		30	
	Green		30	
	Blue		18	
	Clear		18	
Luminous intensity			8Cd	
Flash/min			120fpm (2Hz)	
Temperature limits			-40C, +55C	
IEC protection class			IP65	



Example Order Code: PSF/DC/12/LED/Red or PSF/SS/DC/12/LED/Red



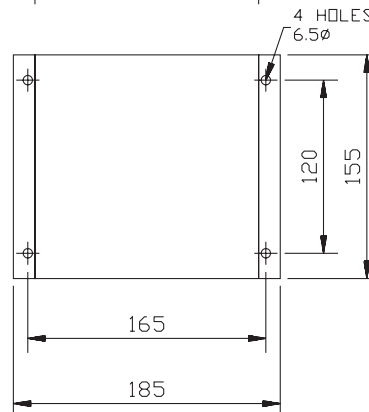
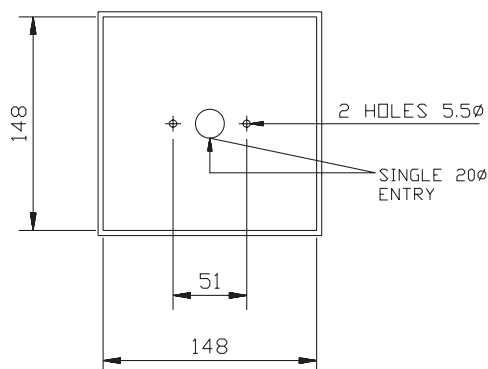
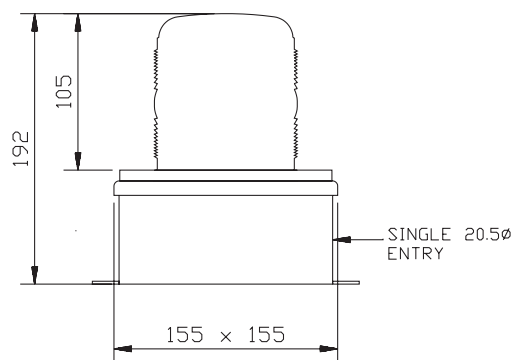
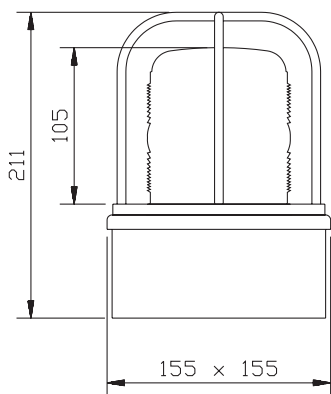
SBF/LED Static (Non-flashing) LED Beacon

- Static (non-flashing) LED beacon.
- 360° All-round visibility.
- High-density LED Matrix.
- Long-life LEDs (>100,000 hours typical).
- Ideal low-current slave to conventional **deegee** pulsed beacons (not LED).

Supply voltage	12Vdc	24Vdc	115Vac	230Vac
Supply voltage limits			± 15%	
Supply current	140mA	70mA	20mA	20mA
Number of LEDs	Red		30	
	Amber		30	
	Green		30	
	Blue		18	
	Clear		18	
Luminous Intensity			8Cd	
Temperature limits			-40C, +55C	
IEC protection class			IP65	



Example Order Code: SBF/AC/230/LED/Green or SBF/SS/AC/230/LED/Green



EPC Coated Mild Steel with Integral Guard

AISI 316 Stainless Steel

For Installation Accessories please refer to page 73

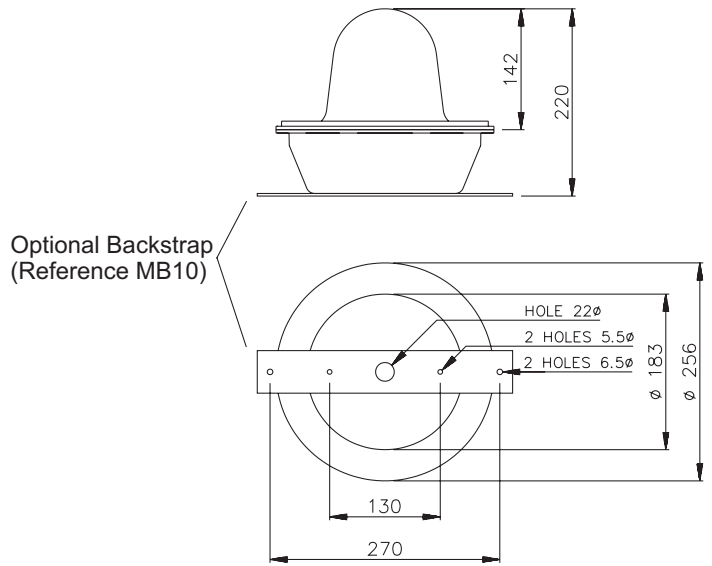
D.G. Controls Limited

Cadley Hill Road, Swadlincote, Derbyshire, DE11 9TB, ENGLAND.

Tel: +44 (0) 1283 550850 Fax: +44 (0) 1283 550776 E-mail: sales@deegee.com www: http://www.deegee.com

Copyright © Reserved

Series G



Heavy-duty IP68 industrial/marine/obstruction warning beacon. Eight-point tamper resistant dome fixing and O-ring gasket for positive ingress protection. High grade engineering, UV-stabilised Polycarbonate base and lens. Flat positions in opposing sides (2 off) and base (1 off) for user to drill entries for Conduit/Glands and to allow through connection. Side entry thickness suitable for thread forming.

Cage Guard : G7 - Bonded to dome-lens - Order with beacon.
Mounting Brackets : MB7 Bracket and MB10 Optional Backstrap for easy surface mounting

RFG/B15D Rotating Mirror Beacon

- Rugged rotating mirror beacon.
- Unique 'quiet-drive' system incorporating direct motor/turntable self adjusting coupling and long life ball-race bearing. Eliminates nuisance of drive belt breakage and reduces drive-train noise.
- 360° All-round viewing.
- 24Vac, 50Vac, 110Vdc and 240Vdc models also available. Contact your sales point for further details.

Supply voltage	12Vdc	24Vdc	115Vac	230Vac
Supply voltage limits			± 15%	
Supply current	4.15A	2.15A	540mA	270mA
Luminous intensity				
	Red	64Cd		80Cd
	Amber	192Cd		240Cd
	Green	115Cd		143Cd
	Blue	38Cd		48Cd
	Clear	256Cd		319Cd
Lamp rating		48W		60W
Reflector			80mm, ±3°	
Flash/min			180fpm (3Hz)	
Temperature limits			-20C, +55C	
IEC protection class			IP68	

Example Order Code: RFG/DC/24/B15D/Blue

RFG/TH Rotating Mirror Beacon with Tungsten Halogen Lamp

- High intensity H1 Tungsten Halogen version.
- Unique 'quiet-drive' system incorporating direct motor/turntable self adjusting coupling and long life ball-race bearing. Eliminates nuisance of drive belt breakage and reduces drive-train noise.
- 360° All-round viewing.
- 115Vac and 230Vac versions available with external Transformer Box (ACTE) for low-voltage lamp. Contact your sales point for further details. (Note Transformer Box is rated IP65)

Supply voltage	12Vdc	24Vdc
Supply voltage limits		± 15%
Supply current	4.75A	3A
Luminous intensity		
	Red	146Cd
	Amber	439Cd
	Green	264Cd
	Blue	88Cd
	Clear	586Cd
Lamp rating	55W	70W
Reflector		80mm, ±3°
Flash/min		180fpm (3Hz)
Temperature limits		-20C, +55C
IEC protection class		IP68

Example Order Code: RFG/DC/12/TH55/Amber

For Installation Accessories please refer to page 73

D.G. Controls Limited

Cadley Hill Road, Swadlincote, Derbyshire, DE11 9TB, ENGLAND.

Tel: +44 (0) 1283 550850 Fax: +44 (0) 1283 550776 E-mail: sales@deegee.com www: http://www.deegee.com

Copyright © Reserved



Series G



XFG/11 Joule and XFG/5 Joule Xenon Strobe Beacon

- Repetitive Dual Flash (DH) and Single Flash (SH) models.
- 360° All-round and 270° All-over visibility.
- Long-life xenon tube - typically > 20,000,000 flashes.
- 12-100Vdc (12-72Vac) automatic voltage-ranging 5 Joule model (VRA).
- /SYNC terminals to allow multiple units to be flashed in synchronisation.
- Special 240Vdc model also available.
- User-specified flash-rates/patterns available as extra cost option.

Supply voltage	12Vuc	24Vuc	115Vac	230Vac	VRA
Supply voltage limits					n/a
Supply current	1.36A	680mA	160mA	80mA	7W
Luminous intensity	Red				20Cd
	Amber				60Cd
	Green				60Cd
	Blue				20Cd
	Clear				100Cd
Flash Energy					5J
Flash Event					SH Only
Flash rate adjustment					30, 45, 60, 90 fepm
Temperature limits					-40C, +55C
IEC protection class					IP68

Example Order Code: XFG/UC/24/DH/11J/Clear



PSG/B15D Pulsed (Flashing) Beacon

- Solid-state operation.
- 360° All-round and 270° All-over visibility.
- 12Vdc, 24Vdc, 115Vac and 230Vac versions.
- 24Vac version available to order - see 24Vdc versions for specification.
- 50% duty cycle (equal on/off periods).
- Terminals on-board for additional slave beacons - up to rated maximum slave load.
- Alternative lamps and lamp caps available, e.g. E14 or E27.

Supply voltage	12Vdc	24Vdc	115Vac	230Vac
Supply voltage limits				
Supply current	4A	2A	520mA	260mA
Luminous intensity	Red	13Cd		12Cd
	Amber	38Cd		45Cd
	Green	23Cd		27Cd
	Blue	8Cd		9Cd
	Clear	50Cd		60Cd
Lamp rating		48W		60W
Max slave load	21W	48W	120W	300W
Flash/min				
Temperature limits				
IEC protection class				

Example Order Code: PSG/AC/230/B15D/Red



SBG Static (Non-flashing) Beacon

- Ideal slave (not CFT) to conventional **deegee** pulsed beacons (not LED).
- 360° All-round and 270° All-over visibility.
- 12V, 24V, 50V, 115V and 230V versions. AC or DC operation (B15D bulb supplied).
- 230Vac compact fluorescent (CFT) also available.
- Also available without fitted bulb (voltage designation 'O')
- Alternative lamps and lamp caps available, e.g. E14 or E27.

		Filament Lamp				CFT
Supply voltage	12Vuc	24Vuc	50Vuc	115Vuc	230Vuc	230Vac
Supply voltage limits						
Supply current	4A	2A	300mA	520mA	260mA	45mA
Luminous intensity	Red	13Cd	4Cd	12Cd		12Cd
	Amber	38Cd	11Cd	45Cd		45Cd
	Green	23Cd	7Cd	27Cd		27Cd
	Blue	8Cd	2Cd	9Cd		9Cd
	Clear	50Cd	15Cd	60Cd		60Cd
Lamp rating	48W	15W		60W		10W
Temperature limits						-20C, +55C
IEC protection class						IP68

Example Order Code: SBG/UC/12/B15D/Blue



RFG/RMLED Rotating Mirror LED Beacon

- Traditional rotating mirror with solid-state light source.
- High-output **AND** Low-power!
- 360° All-round visibility.
- Long-life LED (>100,000 hours typical).
- Ultra-low current draw means more units can be powered from a single source.
- Specifically ideal for systems that feature battery back-up in case of failure of the primary power source.

Supply voltage	12Vdc - 24Vdc	115Vac - 230Vac
Supply voltage limits	± 15%	
Supply power	5W	7W
Luminous intensity	Red	278Cd
	Amber	163Cd
	Green	178Cd
	Blue	100Cd
	Clear	278Cd
Flash/min	120fpm (2Hz)	
Temperature limits	-20C, +55C	
IEC protection class	IP65	

Example Order Code: RFG/AC/115-230/RMLED/Blue



For Installation Accessories please refer to page 73

D.G. Controls Limited

Cadley Hill Road, Swadlincote, Derbyshire, DE11 9TB, ENGLAND.

Tel: +44 (0) 1283 550850 Fax: +44 (0) 1283 550776 E-mail: sales@deegee.com www: http://www.deegee.com

Copyright © Reserved

Series G

RFG/LED Revolving and PSG/LED Pulsed (Flashing) LED Beacons

- Solid-state LED beacon with either revolving (simulated rotating) or Pulsed light effect.
- 360° All-round visibility.
- No moving parts.
- Long-life LEDs (>100,000 hours typical).
- 50% duty cycle (equal on/off periods).
- User selectable pulsed/static (flashing/non-flashing) operation by simple jumper link change.
- Very low current draw.

Supply voltage	12Vdc	24Vdc	115Vac	230Vac
Supply voltage limits			± 15%	
Supply current (RFG/LED)	100mA	100mA	100mA	100mA
Supply current (PSG/LED)	300mA	150mA	50mA	25mA
Number of LEDs	Red		120	
	Amber		120	
	Green		120	
	Blue		72	
	Clear		72	
Luminous intensity			16Cd	
Flash/min (RFG/LED)			150fpm (2.5Hz)	
Flash/min (PSG/LED)			120fpm (2Hz)	
Temperature limits			-40C, +55C	
IEC protection class			IP65	

Example Order Code: RFG/DC/24/LED/Amber or PSG/DC/12/LED/Red

SBG/LED Static (Non-flashing) LED Beacon - 360° All-round viewing

- Static (non-flashing) LED beacon.
- 360° All-round visibility.
- Meets ICAO requirements for Low Intensity Obstruction Warning (Red only).
- High-density LED Matrix.
- Long-life LEDs (>100,000 hours typical).
- Ideal low-current slave to conventional (not LED) pulsed beacons.

Supply voltage	12Vdc	24Vdc	115Vac	230Vac
Supply voltage limits			± 15%	
Supply current	600mA	300mA	100mA	50mA
Number of LEDs	Red		120	
	Amber		120	
	Green		120	
	Blue		72	
	Clear		72	
Luminous Intensity			16Cd	
Temperature limits			-40C, +55C	
IEC protection class			IP68	

Example Order Code: SBG/AC/115/LED/Green

SBG/AOV-LED Static (Non-flashing) LED Beacon - 360° All-round + 270° All-over viewing

- Static (non-flashing) LED beacon.
- 360° All-round and 270° All-over visibility.
- Meets ICAO requirements for Low Intensity Obstruction Warning (Red only).
- Additional 48Vdc model for specialist applications.
- High-density LED Matrix.
- Long-life LEDs (>100,000 hours typical).
- Ideal low-current slave to conventional (not LED) pulsed beacons.

Supply voltage	12Vdc	24Vdc	48Vdc	115Vac	230Vac
Supply voltage limits			± 15%		
Supply current	800mA	400mA	400mA	120mA	60mA
Number of LEDs	Red		160		
	Amber		160		
	Green		160		
	Blue		96		
	Clear		96		
Luminous Intensity			16Cd		
Temperature limits			-40C, +55C		
IEC protection class			IP68		

Example Order Code: SBG/AC/230/AOV-LED/Red

For Installation Accessories please refer to page 73

D.G. Controls Limited

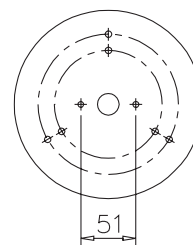
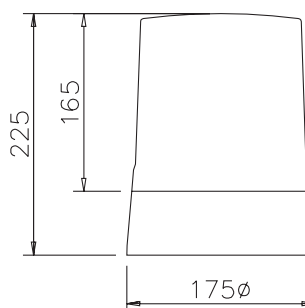
Cadley Hill Road, Swadlincote, Derbyshire, DE11 9TB, ENGLAND.

Tel: +44 (0) 1283 550850 Fax: +44 (0) 1283 550776 E-mail: sales@deegee.com www: http://www.deegee.com

Copyright © Reserved



Series H



Hi-top industrial, vehicle, security and obstruction hazard warning beacon with smooth exterior for easy wipe-down cleaning. Incorporates fixing drillouts on 51mm centres for direct conduit box mounting (gasket supplied) with alternative 3 drillouts on 100mm PCD and further 3 drillouts on 130mm PCD. Central 20mmØ drillout for cable entry in base. High grade engineering, UV-stabilised plastics (ABS Base, Polycarbonate Lens).

Cage Guard : G5
Wall Mounting Brackets : MB1, MB1A or MB7

RFH/B15D Rotating Mirror Beacon

- Very popular rotating mirror beacon.
- Unique 'quiet-drive' system incorporating direct motor/turntable coupling and long life ball-race bearing. Eliminates nuisance of drive belt breakage and reduces drive-train noise.
- All models feature 120mm reflector for enhanced visibility in the vertical viewing plane.
- 360° All-round visibility.
- 24Vac, 50Vac, 110Vdc and 240Vdc models also available.

Supply voltage	12Vdc	24Vdc	115Vac	230Vac
Supply voltage limits			± 15%	
Supply current	4.15A	2.15A	540mA	270mA
Luminous intensity				
Red		54Cd		68Cd
Amber		162Cd		202Cd
Green		97Cd		121Cd
Blue		32Cd		40Cd
Clear		216Cd		270Cd
Lamp rating		48W		60W
Reflector			120mm, ±8°	
Flash/min			180fpm (3Hz)	
Temperature limits			-20C, +55C	
IEC protection class			IP65	

Example Order Code: RFH/AC/115/B15D/Red

RFH/TH Rotating Mirror Beacon with Tungsten Halogen Lamp

- High intensity H1 Tungsten Halogen version.
- Unique 'quiet-drive' system incorporating direct motor/turntable coupling and long life ball-race bearing. Eliminates nuisance of drive belt breakage and reduces drive-train noise.
- 120mm reflector for enhanced visibility in the vertical viewing plane.
- 360° All-round visibility.
- 115Vac and 230Vac versions available with external Transformer Box (ACTE) for low-voltage lamp.

Supply voltage	12Vdc	24Vdc
Supply voltage limits		± 15%
Supply current	4.75A	3A
Luminous intensity		
Red	124Cd	158Cd
Amber	370Cd	472Cd
Green	222Cd	283Cd
Blue	74Cd	95Cd
Clear	494Cd	630Cd
Lamp rating	55W	70W
Reflector		120mm, ±8°
Flash/min		180fpm (3Hz)
Temperature limits		-20C, +55C
IEC protection class		IP65

Example Order Code: RFH/DC/24/TH70/Blue

For Installation Accessories please refer to page 73

D.G. Controls Limited

Cadley Hill Road, Swadlincote, Derbyshire, DE11 9TB, ENGLAND.

Tel: +44 (0) 1283 550850 Fax: +44 (0) 1283 550776 E-mail: sales@deegee.com www: http://www.deegee.com

Copyright © Reserved

Series H

XFH/11 Joule Xenon Strobe Beacon

- High energy xenon strobe beacon.
- Repetitive Dual Flash (DH) and Single Flash (SH) models.
- Long-life xenon tube - typically > 20,000,000 flashes.
- 12Vuc, 24Vuc, 115Vac and 230Vac 11 Joule models.
- 12-100Vdc (12-72Vac) automatic voltage-ranging 5 Joule model (VRA).
- /SYNC terminals to allow multiple units to be flashed in synchronisation.
- 360° All-round and 270° All-over visibility.
- Special 240Vdc model also available.

Supply voltage	12Vuc	24Vuc	115Vac	230Vac	VRA
Supply voltage limits			± 15%		n/a
Supply current	1.36A	680mA	160mA	80mA	7W
Luminous intensity					40Cd
	Red		106Cd		120Cd
	Amber		264Cd		120Cd
	Green		264Cd		40Cd
	Blue		88Cd		200Cd
	Clear		440Cd		5J
Flash Energy			11J		SH Only
Flash Event			DH or SH		
Flash rate adjustment			30, 45, 60, 90 fepm		
Temperature limits			-40C, +55C		
IEC protection class			IP65		

Example Order Code: XFH/AC/115/DH/11J/Blue

XFH/24 Joule Xenon Strobe Beacon

- Ultra-high energy xenon strobe beacon.
- Repetitive Dual Flash (DH) and Single Flash (SH) models.
- Long-life xenon tube - typically > 20,000,000 flashes.
- 12Vuc, 24Vuc, 115Vac and 230Vac 24 Joule models.
- /SYNC terminals to allow multiple units to be flashed in synchronisation.
- 360° All-round and 270° All-over visibility.
- Special 240Vdc model also available.

Supply voltage	12Vuc	24Vuc	115Vac	230Vac
Supply voltage limits			± 15%	
Supply current	3.10A	1.55A	350mA	175mA
Luminous intensity				
	Red		230Cd	
	Amber		576Cd	
	Green		576Cd	
	Blue		192Cd	
	Clear		960Cd	
Flash Energy			24J	
Flash Event			DH or SH	
Flash rate adjustment			30, 45, 60, 90 fepm	
Temperature limits			-40C, +55C	
IEC protection class			IP65	

Example Order Code: XFH/UC/24/SH/24J/Red

PSH/B15D Pulsed (Flashing) Beacon

- Solid-state operation.
- 12Vdc, 24Vdc, 115Vac and 230Vac versions.
- 24Vac version available to order - see 24Vdc versions for specification.
- 50% duty cycle (equal on/off periods).
- Terminals on-board for additional slave beacons - up to rated maximum slave load.
- 360° All-round and 270° All-over visibility.
- Alternative lamps and lamp caps available, e.g. E14 or E27.

Supply voltage	12Vdc	24Vdc	115Vac	230Vac
Supply voltage limits			± 15%	
Supply current	4A	2A	520mA	260mA
Luminous intensity				
	Red	13Cd		15Cd
	Amber	38Cd		45Cd
	Green	23Cd		27Cd
	Blue	8Cd		9Cd
	Clear	50Cd		60Cd
Lamp rating		48W		60W
Max slave load	21W		48W	120W
Flash/min			40fpm (0.667Hz)	
Temperature limits			-20C, +55C	
IEC protection class			IP65	

Example Order Code: PSH/AC/230/B15D/Amber

SBH Static (Non-flashing) Beacon

- Ideal slave (not CFT) to conventional **deege** pulsed beacons (not LED).
- 360° All-round and 270° All-over visibility.
- 12V, 24V, 50V, 115V and 230V versions. AC or DC operation (B15D bulb supplied).
- 230Vac compact fluorescent (CFT) also available.
- Also available without fitted bulb (voltage designation 'O')
- Alternative lamps and lamp caps available, e.g. E14 or E27.

Supply voltage	Filament Lamp					CFT
	12Vuc	24Vuc	50Vuc	115Vuc	230Vuc	
Supply voltage limits			± 15%			
Supply current	4A	2A	300mA	520mA	260mA	45mA
Luminous intensity						
	Red	13Cd	4Cd	15Cd		12Cd
	Amber	38Cd	11Cd	45Cd		45Cd
	Green	23Cd	7Cd	27Cd		27Cd
	Blue	8Cd	2Cd	9Cd		9Cd
	Clear	50Cd	15Cd	60Cd		60Cd
Lamp rating		48W	15W	60W		10W
Temperature limits				-20C, +55C		
IEC protection class				IP65		

Example Order Code: SBH/UC/115/B15D/Green

For Installation Accessories please refer to page 73

D.G. Controls Limited

Cadley Hill Road, Swadlincote, Derbyshire, DE11 9TB, ENGLAND.

Tel: +44 (0) 1283 550850 Fax: +44 (0) 1283 550776 E-mail: sales@deege.com www: http://www.deege.com

Copyright © Reserved



Series H



RFH/RMLED Rotating Mirror LED Beacon

- Traditional rotating mirror with solid-state light source.
- High-output **AND** Low-power!
- 360° All-round visibility.
- Long-life LED (>100,000 hours typical).
- Ultra-low current draw means more units can be powered from a single source.
- Specifically ideal for systems that feature battery back-up in case of failure of the primary power source.

Supply voltage	12Vdc - 24Vdc		115Vac - 230Vac	
Supply voltage limits			± 15%	
Supply power	5W		7W	
Luminous intensity	Red		278Cd	
	Amber		163Cd	
	Green		178Cd	
	Blue		100Cd	
	Clear		278Cd	
Flash/min			120fpm (2Hz)	
Temperature limits			-20C, +55C	
IEC protection class			IP65	



Example Order Code: RFH/DC/12-24/RMLED/Green



RFH/LED Revolving and PSH/LED Pulsed (Flashing) LED Beacons

- Solid-state LED beacon with either revolving (simulated rotating) or Pulsed light effect.
- 360° All-round visibility.
- No moving parts.
- Long-life LEDs (>100,000 hours typical).
- 50% duty cycle (equal on/off periods).
- User selectable pulsed/static (flashing/non-flashing) operation by simple jumper link change.
- Very low current draw.

Supply voltage	12Vdc	24Vdc	115Vac	230Vac
Supply voltage limits	± 15%			
Supply current (RFH/LED)	100mA	100mA	100mA	100mA
Supply current (PSH/LED)	300mA	150mA	50mA	25mA
Number of LEDs	Red		120	
	Amber		120	
	Green		120	
	Blue		72	
	Clear		72	
Luminous intensity			16Cd	
Flash/min (RFH/LED)			150fpm (2.5Hz)	
Flash/min (PSH/LED)			120fpm (2Hz)	
Temperature limits			-40C, +55C	
IEC protection class			IP65	



Example Order Code: RFH/AC/230/LED/Red or PSH/DC/24/LED/Blue



SBH/LED Static (Non-flashing) LED Beacon - 360° All-round viewing

- Static (non-flashing) LED beacon.
- 360° All-round visibility.
- Meets ICAO requirements for Low Intensity Obstruction Warning (Red only).
- High-density LED Matrix.
- Long-life LEDs (>100,000 hours typical).
- Ideal low-current slave to conventional **deege** (not LED) pulsed beacons.

Supply voltage	12Vdc	24Vdc	115Vac	230Vac
Supply voltage limits	± 15%			
Supply current	600mA	300mA	100mA	50mA
Number of LEDs	Red		120	
	Amber		120	
	Green		120	
	Blue		72	
	Clear		72	
Luminous Intensity			16Cd	
Temperature limits			-40C, +55C	
IEC protection class			IP65	



Example Order Code: SBH/AC/230/LED/Red



SBH/AOV-LED Static (Non-flashing) LED Beacon - 360° All-round + 270° All-over viewing

- Static (non-flashing) LED beacon.
- 360° All-round and 270° All-over visibility.
- Meets ICAO requirements for Low Intensity Obstruction Warning (Red only).
- Additional 48Vdc model for specialist applications.
- High-density LED Matrix.
- Long-life LEDs (>100,000 hours typical).
- Ideal low-current slave to conventional **deege** (not LED) pulsed beacons.

Supply voltage	12Vdc	24Vdc	48Vdc	115Vac	230Vac
Supply voltage limits	± 15%				
Supply current	800mA	400mA	400mA	120mA	60mA
Number of LEDs	Red		160		
	Amber		160		
	Green		160		
	Blue		96		
	Clear		96		
Luminous Intensity			16Cd		
Temperature limits			-40C, +55C		
IEC protection class			IP65		



Example Order Code: SBH/DC/24/AOV-LED/Amber



For Installation Accessories please refer to page 73

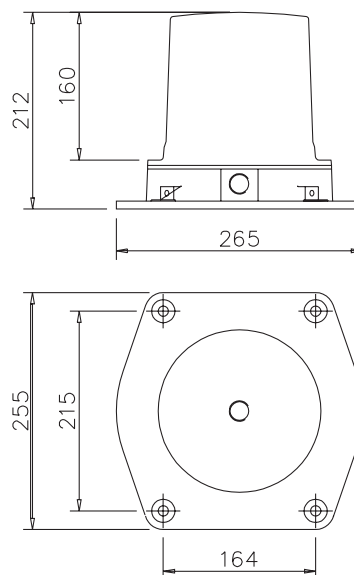
D.G. Controls Limited

Cadley Hill Road, Swadlincote, Derbyshire, DE11 9TB, ENGLAND.

Tel: +44 (0) 1283 550850 Fax: +44 (0) 1283 550776 E-mail: sales@deege.com www: http://www.deege.com

Copyright © Reserved

Series J



Robust heavy-duty and rough-service industrial hazard warning beacon. Incorporates fixing holes on 164 x 215 centres for either direct surface mounting or clamp mounting to standard 6", 8" or 10" RSJ (clamps not supplied). Threaded M20 entries in base and side for direct conduit/gland coupling. High grade engineering, UV-stabilised polycarbonate lens with heavy duty cast aluminium base.

Cage Guard : G5
Wall Mounting Brackets: n/a

RFJ/B15D Rotating Mirror Beacon

- Robust rotating mirror beacon.
- Unique 'quiet-drive' system incorporating direct motor/turntable coupling and long life ball-race bearing. Eliminates nuisance of drive belt breakage and reduces drive-train noise.
- DC model features 120mm reflector for enhanced visibility in the vertical viewing plane.
- 360° All-round visibility.
- 24Vac, 50Vac, 110Vdc and 240Vdc models also available.

Supply voltage	12Vdc	24Vdc	115Vac	230Vac
Supply voltage limits			± 15%	
Supply current	4.15A	2.15A	540mA	270mA
Luminous intensity				
Red		54Cd		80Cd
Amber		162Cd		240Cd
Green		97Cd		143Cd
Blue		32Cd		48Cd
Clear		216Cd		319Cd
Lamp rating		48W		60W
Reflector		120mm, ±8°		80mm, ±3°
Flash/min			180fpm (3Hz)	
Temperature limits			-20C, +55C	
IEC protection class			IP65	

Example Order Code: RFJ/AC/230/B15D/Red

RFJ/TH Rotating Mirror Beacon with Tungsten Halogen Lamp

- High intensity H1 Tungsten Halogen version.
- Unique 'quiet-drive' system incorporating direct motor/turntable coupling and long life ball-race bearing. Eliminates nuisance of drive belt breakage and reduces drive-train noise.
- 120mm reflector for enhanced visibility in the vertical viewing plane.
- 360° All-round visibility.
- 115Vac and 230Vac versions available with external Transformer Box (ACTE) for low-voltage lamp.

Supply voltage	12Vdc	24Vdc
Supply voltage limits		± 15%
Supply current	4.75A	3A
Luminous intensity		
Red	124Cd	158Cd
Amber	370Cd	472Cd
Green	222Cd	283Cd
Blue	74Cd	95Cd
Clear	494Cd	630Cd
Lamp rating	55W	70W
Reflector		120mm, ±8°
Flash/min		180fpm (3Hz)
Temperature limits		-20C, +55C
IEC protection class		IP65

Example Order Code: RFJ/DC/12/TH55/Amber

For Installation Accessories please refer to page 73

D.G. Controls Limited

Cadley Hill Road, Swadlincote, Derbyshire, DE11 9TB, ENGLAND.

Tel: +44 (0) 1283 550850 Fax: +44 (0) 1283 550776 E-mail: sales@deegee.com www: http://www.deegee.com

Copyright © Reserved



Series J



XFJ/11 Joule Xenon Strobe Beacon

- High energy xenon strobe beacon.
- Repetitive Dual Flash (DH) and Single Flash (SH) models.
- Long-life xenon tube - typically > 20,000,000 flashes.
- 12Vuc, 24Vuc, 115Vac and 230Vac 11 Joule models.
- 12-100Vdc (12-72Vac) automatic voltage-ranging 5 Joule model (VRA).
- /SYNC terminals to allow multiple units to be flashed in synchronisation.
- 360° All-round and 270° All-over visibility.
- Special 240Vdc model also available.

Supply voltage	12Vuc	24Vuc	115Vac	230Vac	VRA
Supply voltage limits					n/a
Supply current	1.36A	680mA	160mA	80mA	7W
Luminous intensity	Red	106Cd			40Cd
	Amber	264Cd			120Cd
	Green	264Cd			120Cd
	Blue	88Cd			40Cd
	Clear	440Cd			200Cd
Flash Energy					5J
Flash Event					SH Only
Flash rate adjustment					30, 45, 60, 90 fepm
Temperature limits					-40C, +55C
IEC protection class					IP65

Example Order Code: XFJ/AC/230/DH/11J/Amber



XFJ/24 Joule Xenon Strobe Beacon

- Ultra-high energy xenon strobe beacon.
- Repetitive Dual Flash (DH) and Single Flash (SH) models.
- Long-life xenon tube - typically > 20,000,000 flashes.
- 12Vuc, 24Vuc, 115Vac and 230Vac 24 Joule models.
- /SYNC terminals to allow multiple units to be flashed in synchronisation.
- 360° All-round and 270° All-over visibility.
- Special 240Vdc model also available.

Supply voltage	12Vuc	24Vuc	115Vac	230Vac
Supply voltage limits				
Supply current	3.10A	1.55A	350mA	175mA
Luminous intensity	Red	230Cd		
	Amber	576Cd		
	Green	576Cd		
	Blue	192Cd		
	Clear	960Cd		
Flash Energy				
Flash Event				
Flash rate adjustment				
Temperature limits				
IEC protection class				

Example Order Code: XFJ/AC/115/SH/24J/Blue



PSJ/B15D Pulsed (Flashing) Beacon

- Solid-state operation.
- 12Vdc, 24Vdc, 115Vac and 230Vac versions.
- 24Vdc version available to order - see 24Vdc versions for specification.
- 50% duty cycle (equal on/off periods).
- Terminals on-board for additional slave beacons - up to rated maximum slave load.
- 360° All-round and 270° All-over visibility.
- Alternative lamps and lamp caps available, e.g. E14 or E27.

Supply voltage	12Vdc	24Vdc	115Vac	230Vac
Supply voltage limits				
Supply current	4A	2A	520mA	260mA
Luminous intensity	Red	13Cd		15Cd
	Amber	38Cd		45Cd
	Green	23Cd		27Cd
	Blue	8Cd		9Cd
	Clear	50Cd		60Cd
Lamp rating				
Max slave load	21W	48W	120W	300W
Flash/min				
Temperature limits				
IEC protection class				

Example Order Code: PSJ/DC/12/B15D/Amber



SBJ Static (Non-flashing) Beacon

- Ideal slave (not CFT) to conventional **deegee** pulsed beacons (not LED).
- 360° All-round and 270° All-over visibility.
- 12V, 24V, 50V, 115V and 230V versions. AC or DC operation (B15D bulb supplied).
- 230Vac compact fluorescent (CFT) also available.
- Also available without fitted bulb (voltage designation 'O')
- Alternative lamps and lamp caps available, e.g. E14 or E27.

		Filament Lamp				CFT
Supply voltage	12Vuc	24Vuc	50Vuc	115Vuc	230Vuc	230Vac
Supply voltage limits						
Supply current	4A	2A	300mA	520mA	260mA	45mA
Luminous intensity	Red	13Cd	4Cd	15Cd		12Cd
	Amber	38Cd	11Cd	45Cd		45Cd
	Green	23Cd	7Cd	27Cd		27Cd
	Blue	8Cd	2Cd	9Cd		9Cd
	Clear	50Cd	15Cd	60Cd		60Cd
Lamp rating						
Temperature limits						
IEC protection class						

Example Order Code: SBJ/UC/50/B15D/Red



For Installation Accessories please refer to page 73

D.G. Controls Limited

Cadley Hill Road, Swadlincote, Derbyshire, DE11 9TB, ENGLAND.

Tel: +44 (0) 1283 550850 Fax: +44 (0) 1283 550776 E-mail: sales@deegee.com www: http://www.deegee.com

Copyright © Reserved

Series J

RFJ/RMLED Rotating Mirror LED Beacon

- Traditional rotating mirror with solid-state light source.
- High-output **AND** Low-power!
- 360° All-round visibility.
- Long-life LED (>100,000 hours typical).
- Ultra-low current draw means more units can be powered from a single source.
- Specifically ideal for systems that feature battery back-up in case of failure of the primary power source.

Supply voltage	12Vdc - 24Vdc		115Vac - 230Vac	
Supply voltage limits			± 15%	
Supply power	5W		7W	
Luminous intensity	Red	278Cd		
	Amber	163Cd		
	Green	178Cd		
	Blue	100Cd		
	Clear	278Cd		
Flash/min			120fpm (2Hz)	
Temperature limits			-20C, +55C	
IEC protection class			IP65	

Example Order Code: RFJ/DC/12-24/RMLED/Blue

RFJ/LED Revolving and PSJ/LED Pulsed (Flashing) LED Beacons

- Solid-state LED beacon with either revolving (simulated rotating) or Pulsed light effect.
- 360° All-round visibility.
- No moving parts.
- Long-life LEDs (>100,000 hours typical).
- 50% duty cycle (equal on/off periods).
- User selectable pulsed/static (flashing/non-flashing) operation by simple jumper link change.
- Very low current draw.

Supply voltage	12Vdc	24Vdc	115Vac	230Vac
Supply voltage limits	± 15%			
Supply current (RFJ/LED)	100mA	100mA	100mA	100mA
Supply current (PSJ/LED)	300mA	150mA	50mA	25mA
Number of LEDs	Red	120		
	Amber	120		
	Green	120		
	Blue	72		
	Clear	72		
Luminous intensity			16Cd	
Flash/min (RFJ/LED)			150fpm (2.5Hz)	
Flash/min (PSJ/LED)			120fpm (2Hz)	
Temperature limits			-40C, +55C	
IEC protection class			IP65	

Example Order Code: RFJ/AC/230/LED/Amber or PSH/AC/115/LED/Green

SBJ/LED Static (Non-flashing) LED Beacon - 360° All-round viewing

- Static (non-flashing) LED beacon.
- 360° All-round visibility.
- Meets ICAO requirements for Low Intensity Obstruction Warning (Red only).
- High-density LED Matrix.
- Long-life LEDs (>100,000 hours typical).
- Ideal low-current slave to conventional **deege** (not LED) pulsed beacons.

Supply voltage	12Vdc	24Vdc	115Vac	230Vac
Supply voltage limits	± 15%			
Supply current	600mA	300mA	100mA	50mA
Number of LEDs	Red	120		
	Amber	120		
	Green	120		
	Blue	72		
	Clear	72		
Luminous Intensity			16Cd	
Temperature limits			-40C, +55C	
IEC protection class			IP65	

Example Order Code: SBJ/AC/115/LED/Amber

SBJ/AOV-LED Static (Non-flashing) LED Beacon - 360° All-round + 270° All-over viewing

- Static (non-flashing) LED beacon.
- 360° All-round and 270° All-over visibility.
- Meets ICAO requirements for Low Intensity Obstruction Warning (Red only).
- Additional 48Vdc model for specialist applications.
- High-density LED Matrix.
- Long-life LEDs (>100,000 hours typical).
- Ideal low-current slave to conventional **deege** (not LED) pulsed beacons.

Supply voltage	12Vdc	24Vdc	48Vdc	115Vac	230Vac
Supply voltage limits	± 15%				
Supply current	800mA	400mA	400mA	120mA	60mA
Number of LEDs	Red	160			
	Amber	160			
	Green	160			
	Blue	96			
	Clear	96			
Luminous Intensity			16Cd		
Temperature limits			-40C, +55C		
IEC protection class			IP65		

Example Order Code: SBJ/AC/230/AOV-LED/Red

For Installation Accessories please refer to page 73

D.G. Controls Limited

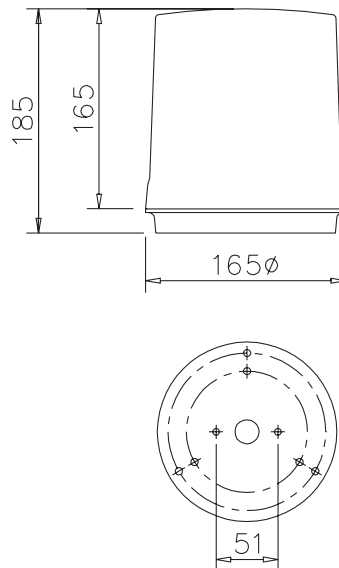
Cadley Hill Road, Swadlincote, Derbyshire, DE11 9TB, ENGLAND.

Tel: +44 (0) 1283 550850 Fax: +44 (0) 1283 550776 E-mail: sales@deege.com www: http://www.deege.com

Copyright © Reserved



Series K



Large format industrial, vehicle, security and obstruction hazard warning beacon. Incorporates fixing drillouts on 51mm centres for direct conduit box mounting (gasket supplied) with alternative 3 drillouts on 100mm PCD and further 3 drillouts on 130mm PCD. Central 20mmØ drillout for cable entry in base. High grade engineering, UV-stabilised plastics (ABS Base, Polycarbonate Lens).

Cage Guard : G4
Wall Mounting Brackets: MB1, MB1A, MB2/White, MB2/Black or MB7



RFK/B15D Rotating Mirror Beacon

- Very popular rotating mirror beacon.
- Unique 'quiet-drive' system incorporating direct motor/turntable coupling and long life ball-race bearing. Eliminates nuisance of drive belt breakage and reduces drive-train noise.
- DC model features 120mm reflector for enhanced visibility in the vertical viewing plane.
- 360° All-round visibility.
- 24Vac, 50Vac, 110Vdc and 240Vdc models also available.

Supply voltage	12Vdc	24Vdc	115Vac	230Vac
Supply voltage limits			± 15%	
Supply current	4.15A	2.15A	540mA	270mA
Luminous intensity				
Red		54Cd		80Cd
Amber		162Cd		240Cd
Green		97Cd		143Cd
Blue		32Cd		48Cd
Clear		216Cd		319Cd
Lamp rating		48W		60W
Reflector		120mm, ±8°		80mm, ±3°
Flash/min			180fpm (3Hz)	
Temperature limits			-20C, +55C	
IEC protection class			IP65	

Example Order Code: RFK/DC/12/B15D/Green

RFK/TH Rotating Mirror Beacon with Tungsten Halogen Lamp

- High intensity H1 Tungsten Halogen version.
- Unique 'quiet-drive' system incorporating direct motor/turntable coupling and long life ball-race bearing. Eliminates nuisance of drive belt breakage and reduces drive-train noise.
- 120mm reflector for enhanced visibility in the vertical viewing plane.
- 360° All-round visibility.
- 115Vac and 230Vac versions available with external Transformer Box (ACTE) for low-voltage lamp.

Supply voltage	12Vdc	24Vdc
Supply voltage limits		± 15%
Supply current	4.75A	3A
Luminous intensity		
Red	124Cd	158Cd
Amber	370Cd	472Cd
Green	222Cd	283Cd
Blue	74Cd	95Cd
Clear	494Cd	630Cd
Lamp rating	55W	70W
Reflector		120mm, ±8°
Flash/min		180fpm (3Hz)
Temperature limits		-20C, +55C
IEC protection class		IP65

Example Order Code: RFK/DC/24/TH70/Red

For Installation Accessories please refer to page 73

D.G. Controls Limited

Cadley Hill Road, Swadlincote, Derbyshire, DE11 9TB, ENGLAND.

Tel: +44 (0) 1283 550850 Fax: +44 (0) 1283 550776 E-mail: sales@deegee.com www: http://www.deegee.com

Copyright © Reserved

Series K

XFK/11 Joule Xenon Strobe Beacon

- High energy xenon strobe beacon.
- Repetitive Dual Flash (DH) and Single Flash (SH) models.
- Long-life xenon tube - typically > 20,000,000 flashes.
- 12Vuc, 24Vuc, 115Vac and 230Vac 11 Joule models.
- 12-100Vdc (12-72Vac) automatic voltage-ranging 5 Joule model (VRA).
- /SYNC terminals to allow multiple units to be flashed in synchronisation.
- 360° All-round and 270° All-over visibility.
- Special 240Vdc model also available.

Supply voltage	12Vuc	24Vuc	115Vac	230Vac	VRA
Supply voltage limits			± 15%		n/a
Supply current	1.36A	680mA	160mA	80mA	7W
Luminous intensity					40Cd
	Red		106Cd		120Cd
	Amber		264Cd		120Cd
	Green		264Cd		40Cd
	Blue		88Cd		200Cd
	Clear		440Cd		5J
Flash Energy			11J		SH Only
Flash Event			DH or SH		
Flash rate adjustment			30, 45, 60, 90 fepm		
Temperature limits			-40C, +55C		
IEC protection class			IP65		

Example Order Code: XFK/UC/12/SH/11J/Blue

XFK/24 Joule Xenon Strobe Beacon

- Ultra-high energy xenon strobe beacon.
- Repetitive Dual Flash (DH) and Single Flash (SH) models.
- Long-life xenon tube - typically > 20,000,000 flashes.
- 12Vuc, 24Vuc, 115Vac and 230Vac 24 Joule models.
- /SYNC terminals to allow multiple units to be flashed in synchronisation.
- 360° All-round and 270° All-over visibility.
- Special 240Vdc model also available.

Supply voltage	12Vuc	24Vuc	115Vac	230Vac
Supply voltage limits			± 15%	
Supply current	3.10A	1.55A	350mA	175mA
Luminous intensity				
	Red		230Cd	
	Amber		576Cd	
	Green		576Cd	
	Blue		192Cd	
	Clear		960Cd	
Flash Energy			24J	
Flash Event			DH or SH	
Flash rate adjustment			30, 45, 60, 90 fepm	
Temperature limits			-40C, +55C	
IEC protection class			IP65	

Example Order Code: XFK/AC/230/SH/24J/Green

PSK/B15D Pulsed (Flashing) Beacon

- Solid-state operation.
- 12Vdc, 24Vdc, 115Vac and 230Vac versions.
- 24Vac version available to order - see 24Vdc versions for specification.
- 50% duty cycle (equal on/off periods).
- Terminals on-board for additional slave beacons - up to rated Max slave load.
- 360° All-round and 270° All-over visibility.
- Alternative lamps and lamp caps available, e.g. E14 or E27.

Supply voltage	12Vdc	24Vdc	115Vac	230Vac
Supply voltage limits			± 15%	
Supply current	4A	2A	520mA	260mA
Luminous intensity				
	Red	13Cd		15Cd
	Amber	38Cd		45Cd
	Green	23Cd		27Cd
	Blue	8Cd		9Cd
	Clear	50Cd		60Cd
Lamp rating		48W		60W
Max slave load	21W		48W	120W
Flash/min			40fpm (0.667Hz)	
Temperature limits			-20C, +55C	
IEC protection class			IP65	

Example Order Code: PSK/DC/24/B15D/Red

SBK Static (Non-flashing) Beacon

- Ideal slave (not CFT) to conventional **deegee** pulsed beacons (not LED).
- 360° All-round and 270° All-over visibility.
- 12V, 24V, 50V, 115V and 230V versions. AC or DC operation (B15D bulb supplied).
- 230Vac compact fluorescent (CFT) also available.
- Also available without fitted bulb (voltage designation 'O')
- Alternative lamps and lamp caps available, e.g. E14 or E27.

Supply voltage	Filament Lamp					CFT
	12Vuc	24Vuc	50Vuc	115Vuc	230Vuc	
Supply voltage limits			± 15%			
Supply current	4A	2A	300mA	520mA	260mA	45mA
Luminous intensity						
	Red	13Cd	4Cd	15Cd		12Cd
	Amber	38Cd	11Cd	45Cd		45Cd
	Green	23Cd	7Cd	27Cd		27Cd
	Blue	8Cd	2Cd	9Cd		9Cd
	Clear	50Cd	15Cd	60Cd		60Cd
Lamp rating		48W	15W	60W		10W
Temperature limits			-20C, +55C			
IEC protection class			IP65			

Example Order Code: SBK/UC/230/B15D/Amber

For Installation Accessories please refer to page 73

D.G. Controls Limited

Cadley Hill Road, Swadlincote, Derbyshire, DE11 9TB, ENGLAND.

Tel: +44 (0) 1283 550850 Fax: +44 (0) 1283 550776 E-mail: sales@deegee.com www: http://www.deegee.com

Copyright © Reserved



Series K



RFK/RMLED Rotating Mirror LED Beacon

- Traditional rotating mirror with solid-state light source.
- High-output **AND** Low-power!
- 360° All-round visibility.
- Long-life LED (>100,000 hours typical).
- Ultra-low current draw means more units can be powered from a single source.
- Specifically ideal for systems that feature battery back-up in case of failure of the primary power source.

Supply voltage	12Vdc - 24Vdc		115Vac - 230Vac	
Supply voltage limits			± 15%	
Supply power	5W		7W	
Luminous intensity	Red			278Cd
	Amber			163Cd
	Green			178Cd
	Blue			100Cd
	Clear			278Cd
Flash/min			120fpm (2Hz)	
Temperature limits			-20C, +55C	
IEC protection class			IP65	

Example Order Code: RFK/DC/12-24/RMLED/Red



RFK/LED Revolving and PSK/LED Pulsed (Flashing) LED Beacons

- Solid-state LED beacon with either revolving (simulated rotating) or Pulsed light effect.
- 360° All-round visibility.
- No moving parts.
- Long-life LEDs (>100,000 hours typical).
- 50% duty cycle (equal on/off periods).
- User selectable pulsed/static (flashing/non-flashing) operation by simple jumper link change.
- Very low current draw.

Supply voltage	12Vdc	24Vdc	115Vac	230Vac
Supply voltage limits	± 15%			
Supply current (RFK/LED)	100mA	100mA	100mA	100mA
Supply current (PSK/LED)	300mA	150mA	50mA	25mA
Number of LEDs	Red			120
	Amber			120
	Green			120
	Blue			72
	Clear			72
Luminous intensity			16Cd	
Flash/min (RFK/LED)			150fpm (2.5Hz)	
Flash/min (PSK/LED)			120fpm (2Hz)	
Temperature limits			-40C, +55C	
IEC protection class			IP65	

Example Order Code: RFK/DC/24/LED/Amber or PSK/AC/230/LED/Green



SBK/LED Static (Non-flashing) LED Beacon - 360° All-round viewing

- Static (non-flashing) LED beacon.
- 360° All-round visibility.
- Meets ICAO requirements for Low Intensity Obstruction Warning (Red only).
- High-density LED Matrix.
- Long-life LEDs (>100,000 hours typical).
- Ideal low-current slave to conventional **deege** (not LED) pulsed beacons.

Supply voltage	12Vdc	24Vdc	115Vac	230Vac
Supply voltage limits	± 15%			
Supply current	600mA	300mA	100mA	50mA
Number of LEDs	Red			120
	Amber			120
	Green			120
	Blue			72
	Clear			72
Luminous Intensity			16Cd	
Temperature limits			-40C, +55C	
IEC protection class			IP65	

Example Order Code: SBK/DC/12/LED/Amber



SBK/AOV-LED Static (Non-flashing) LED Beacon - 360° All-round + 270° All-over viewing

- Static (non-flashing) LED beacon.
- 360° All-round and 270° All-over visibility.
- Meets ICAO requirements for Low Intensity Obstruction Warning (Red only).
- Additional 48Vdc model for specialist applications.
- High-density LED Matrix.
- Long-life LEDs (>100,000 hours typical).
- Ideal low-current slave to conventional **deege** (not LED) pulsed beacons.

Supply voltage	12Vdc	24Vdc	48Vdc	115Vac	230Vac
Supply voltage limits	± 15%				
Supply current	800mA	400mA	400mA	120mA	60mA
Number of LEDs	Red			160	
	Amber			160	
	Green			160	
	Blue			96	
	Clear			96	
Luminous Intensity			16Cd		
Temperature limits			-40C, +55C		
IEC protection class			IP65		

Example Order Code: SBK/DC/48/AOV-LED/Red



For Installation Accessories please refer to page 73

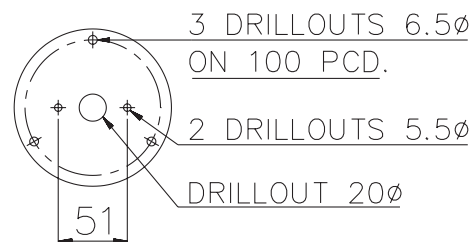
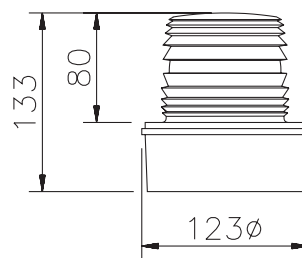
D.G. Controls Limited

Cadley Hill Road, Swadlincote, Derbyshire, DE11 9TB, ENGLAND.

Tel: +44 (0) 1283 550850 Fax: +44 (0) 1283 550776 E-mail: sales@deege.com www: http://www.deege.com

Copyright © Reserved

Series L



Innovative industrial hazard warning beacon with optimised external lens ribbing to maximise available light transfer for enhanced long-range visibility. Incorporates fixing drillouts on 51mm centres for direct conduit box mounting (gasket supplied) with alternative 3 drillouts on 100mm PCD. Central 20mm drillout in base for cable entry. High grade engineering, UV-stabilised plastics (ABS Base, Polycarbonate Lens).

Cage Guard : G2
Wall Mounting Brackets : MB1, MB1A, MB2/White or MB2/Black
Beacon Pole Mount : PM/250B

RFL/TH20 Rotating Mirror Beacon with Tungsten Halogen Lamp

- Lower powered rotating mirror beacon.
- Ideal for Fire Alarm applications.
- Long-life ball-race bearing.
- 360° All-round visibility.
- 12Vdc and 24Vdc models available.

Supply voltage	12Vdc	24Vdc
Supply voltage limits		± 15%
Supply current	1.7A	950mA
Luminous intensity		
Red		25Cd
Amber		75Cd
Green		45Cd
Lamp rating		20W
Reflector		±3°
Flash/min		240fpm (3Hz)
Temperature limits		-20C, +55C
IEC protection class		IP65

Example Order Code: RFL/DC/24/TH20/Amber

XFL/11 Joule and XFL/5 Joule Xenon Strobe Beacons

- High energy xenon strobe beacon.
- Repetitive Dual Flash (DH) and Single Flash (SH) models.
- Long-life xenon tube - typically > 20,000,000 flashes.
- 12Vuc, 24Vuc, 115Vac and 230Vac 11 Joule models.
- 12-100Vdc (12-72Vac) automatic voltage-ranging 5 Joule model (VRA).
- /SYNC terminals to allow multiple units to be flashed in synchronisation.
- 360° All-round and 270° All-over visibility.
- Special 240Vdc model also available.

Supply voltage	12Vuc	24Vuc	115Vac	230Vac	VRA
Supply voltage limits			± 15%		n/a
Supply current	1.36A	680mA	160mA	80mA	7W
Luminous intensity					
Red			115Cd		52Cd
Amber			264Cd		120Cd
Green			264Cd		120Cd
Blue			88Cd		40Cd
Clear			440Cd		200Cd
Flash Energy			11J		5J
Flash Event			DH or SH		SH Only
Flash rate adjustment			30, 45, 60, 90 fepm		
Temperature limits			-40C, +55C		
IEC protection class			IP65		

Example Order Code: XFL/UC/24/SH/11J/Red

For Installation Accessories please refer to page 73

D.G. Controls Limited

Cadley Hill Road, Swadlincote, Derbyshire, DE11 9TB, ENGLAND.

Tel: +44 (0) 1283 550850 Fax: +44 (0) 1283 550776 E-mail: sales@deegee.com www: http://www.deegee.com

Copyright © Reserved



Series L



XFL/7 Joule Xenon Strobe Beacon

- Medium energy xenon strobe beacon.
- Repetitive Single Flash (SH) models.
- Long-life xenon tube - typically > 20,000,000 flashes.
- 12Vuc, 24Vuc, 115Vac and 230Vac 7 Joule models.
- /SYNC terminals to allow multiple units to be flashed in synchronisation.
- 360° All-round and 270° All-over visibility.

Supply voltage	12Vdc	24Vdc	115Vac	230Vac
Supply voltage limits			± 15%	
Supply current	500mA	360mA	130mA	65mA
Luminous intensity				
	Red		75Cd	
	Amber		168Cd	
	Green		168Cd	
	Blue		56Cd	
	Clear		280Cd	
Flash Energy			7J	
Flash Event			SH	
Flash rate adjustment			60 fpm (1Hz)	
Temperature limits			-40C, +55C	
IEC protection class			IP65	

Example Order Code: XFL/UC/24/SH/7J/Red



XFL/2.5 Joule Xenon Strobe Beacon

- Low energy xenon strobe beacon.
- Repetitive Single Flash (SH) models.
- Long-life xenon tube - typically > 20,000,000 flashes.
- 12Vdc, 24Vdc, 115Vac and 230Vac 2.5 Joule models.
- 360° All-round and 270° All-over visibility.

Supply voltage	12Vdc	24Vdc	115Vac	230Vac
Supply voltage limits			± 15%	
Supply current	330mA	170mA	60mA	30mA
Luminous intensity				
	Red		26Cd	
	Amber		60Cd	
	Green		60Cd	
	Blue		20Cd	
	Clear		100Cd	
Flash Energy			2.5J	
Flash Event			SH	
Flash rate adjustment			60 fpm	
Temperature limits			-40C, +55C	
IEC protection class			IP65	

Example Order Code: XFL/AC/115/SH/2.5J/Green



PSL/B15D Pulsed (Flashing) Beacon

- Solid-state operation.
- 12Vdc, 24Vdc, 115Vac and 230Vac versions.
- 24Vac version available to order - see 24Vdc versions for specification.
- 50% duty cycle (equal on/off periods).
- Terminals on-board for additional slave beacons - up to rated maximum slave load.
- 360° All-round and 270° All-over visibility.

Supply voltage	12Vdc	24Vdc	115Vac	230Vac
Supply voltage limits			± 15%	
Supply current	1.75A	875mA	130mA	65mA
Luminous intensity				
	Red	15Cd	11Cd	19Cd
	Amber	45Cd	34Cd	56Cd
	Green	27Cd	20Cd	34Cd
	Blue	9Cd	7Cd	11Cd
	Clear	60Cd	45Cd	75Cd
Lamp rating	21W		15W	25W
Max slave load	48W		180W	360W
Flash/min			40fpm (0.667Hz)	
Temperature limits			-20C, +55C	
IEC protection class			IP65	

Example Order Code: PSL/AC/115/B15D/Amber



SBL Static (Non-flashing) Beacon

- Continuously rated indicator lamps.
- Ideal slaves (not CFT) to conventional pulsed *deegree* beacons (not LED).
- Standard filament lamp models and low-energy CFT compact fluorescent models.
- 360° All-round and 270° All-over visibility.

		Filament Lamp				CFT
Supply voltage	12Vuc	24Vuc	50Vuc	115Vuc	230Vuc	230Vac
Supply voltage limits				± 15%		± 15%
Supply current	1.75A	875mA	300mA	130mA	110mA	45mA
Luminous intensity						
	Red	12Cd	11Cd	11Cd	19Cd	12Cd
	Amber	45Cd	34Cd	34Cd	56Cd	45Cd
	Green	27Cd	20Cd	20Cd	34Cd	27Cd
	Blue	9Cd	7Cd	7Cd	11Cd	9Cd
	Clear	60Cd	45Cd	45Cd	75Cd	60Cd
Lamp rating	21W	15W	15W	15W	25W	10W
Temperature limits					-20C, +55C	
IEC protection class					IP65	

Example Order Code: SBL/UC/24/B15D/Clear



For Installation Accessories please refer to page 73

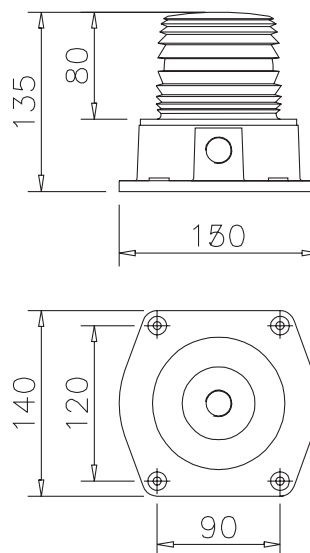
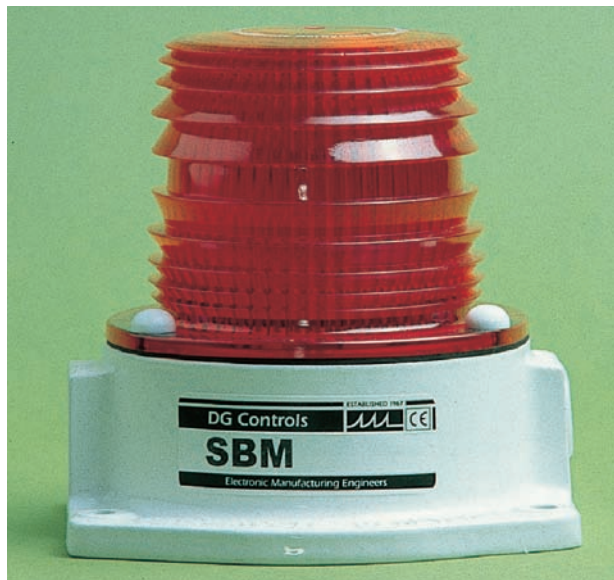
D.G. Controls Limited

Cadley Hill Road, Swadlincote, Derbyshire, DE11 9TB, ENGLAND.

Tel: +44 (0) 1283 550850 Fax: +44 (0) 1283 550776 E-mail: sales@deegree.com www: http://www.deegree.com

Copyright © Reserved

Series M



Heavy-duty version of the innovative Series L hazard warning beacon. Cast aluminium base complements the thick-walled dome lens with optimised external lens ribbing for enhanced long-range visibility. Incorporates four fixing holes on 90 x 120mm centres for direct surface mounting or clamping (clamps not supplied). Threaded M20 entries in base and side for direct conduit/gland coupling.

Cage Guard : G3
Wall Mounting Brackets: MB7

RFM/TH20 Rotating Mirror Beacon with Tungsten Halogen Lamp

- Lower powered rotating mirror beacon.
- Ideal for Fire Alarm applications.
- Long-life ball-race bearing.
- 360° All-round visibility.
- 12Vdc and 24Vdc models available.

Supply voltage	12Vdc	24Vdc
Supply voltage limits		± 15%
Supply current	1.7A	950mA
Luminous intensity		
Red		25Cd
Amber		75Cd
Green		45Cd
Lamp rating		20W
Reflector		±3°
Flash/min		240fpm (3Hz)
Temperature limits		-20C, +55C
IEC protection class		IP65

Example Order Code: RFM/DC/12/TH20/Red

XFM/11 Joule and XFM/5 Joule Xenon Strobe Beacon

- High energy xenon strobe beacon.
- Repetitive Dual Flash (DH) and Single Flash (SH) models.
- Long-life xenon tube - typically > 20,000,000 flashes.
- 12Vuc, 24Vuc, 115Vac and 230Vac 11 Joule models.
- 12-100Vdc (12-72Vac) automatic voltage-ranging 5 Joule model (VRA).
- /SYNC terminals to allow multiple units to be flashed in synchronisation.
- 360° All-round and 270° All-over visibility.
- Special 240Vdc model also available.

Supply voltage	12Vuc	24Vuc	115Vac	230Vac	VRA
Supply voltage limits			± 15%		n/a
Supply current	1.36A	680mA	160mA	80mA	7W
Luminous intensity					
Red			115Cd		52Cd
Amber			264Cd		120Cd
Green			264Cd		120Cd
Blue			88Cd		40Cd
Clear			440Cd		200Cd
Flash Energy			11J		5J
Flash Event			DH or SH		SH Only
Flash rate adjustment			30, 45, 60, 90 fepm		
Temperature limits			-40C, +55C		
IEC protection class			IP65		

Example Order Code: XFM/AC/230/DH/11J/Green

For Installation Accessories please refer to page 73

D.G. Controls Limited

Cadley Hill Road, Swadlincote, Derbyshire, DE11 9TB, ENGLAND.

Tel: +44 (0) 1283 550850 Fax: +44 (0) 1283 550776 E-mail: sales@deegee.com www: http://www.deegee.com

Copyright © Reserved



Series M



XFM/7 Joule Xenon Strobe Beacon

- Medium energy xenon strobe beacon.
- Repetitive Single Flash (SH) models.
- Long-life xenon tube - typically > 20,000,000 flashes.
- 12Vdc, 24Vdc, 115Vac and 230Vac 7 Joule models.
- /SYNC terminals to allow multiple units to be flashed in synchronisation.
- 360° All-round and 270° All-over visibility.

Supply voltage	12Vdc	24Vdc	115Vac	230Vac
Supply voltage limits			± 15%	
Supply current	500mA	360mA	130mA	65mA
Luminous intensity				
	Red		75Cd	
	Amber		168Cd	
	Green		168Cd	
	Blue		56Cd	
	Clear		280Cd	
Flash Energy			7J	
Flash Event			SH	
Flash rate adjustment			60 fpm (1Hz)	
Temperature limits			-40C, +55C	
IEC protection class			IP65	



Example Order Code: XFM/UC/12/DH/7J/Blue



XFM/2.5 Joule Xenon Strobe Beacon

- Low energy xenon strobe beacon.
- Repetitive Single Flash (SH) models.
- Long-life xenon tube - typically > 20,000,000 flashes.
- 12Vdc, 24Vdc, 115Vac and 230Vac 2.5 Joule models.
- 360° All-round and 270° All-over visibility.

Supply voltage	12Vdc	24Vdc	115Vac	230Vac
Supply voltage limits			± 15%	
Supply current	330mA	170mA	60mA	30mA
Luminous intensity				
	Red		26Cd	
	Amber		60Cd	
	Green		60Cd	
	Blue		20Cd	
	Clear		100Cd	
Flash Energy			2.5J	
Flash Event			SH	
Flash rate adjustment			60 fpm (1Hz)	
Temperature limits			-40C, +55C	
IEC protection class			IP65	



Example Order Code: XFM/DC/24/SH/2.5J/Amber



PSM/B15D Pulsed (Flashing) Beacon

- Solid-state operation.
- 12Vdc, 24Vdc, 115Vac and 230Vac versions.
- 24Vac version available to order - see 24Vdc versions for specification.
- 50% duty cycle (equal on/off periods).
- Terminals on-board for additional slave beacons - up to rated maximum slave load.
- 360° All-round and 270° All-over visibility.

Supply voltage	12Vdc	24Vdc	115Vac	230Vac
Supply voltage limits			± 15%	
Supply current	1.75A	875mA	130mA	65mA
Luminous intensity				
	Red	15Cd	11Cd	19Cd
	Amber	45Cd	34Cd	56Cd
	Green	27Cd	20Cd	34Cd
	Blue	9Cd	7Cd	11Cd
	Clear	60Cd	45Cd	75Cd
Lamp rating	21W		15W	25W
Max slave load	48W		180W	360W
Flash/min			40fpm (0.667Hz)	
Temperature limits			-20C, +55C	
IEC protection class			IP65	



Example Order Code: PSM/AC/230/B15D/Red



SBM Static (Non-flashing) Beacon

- Continuously rated indicator lamps.
- Ideal slave (not CFT) to conventional pulsed **deegee** beacons (not LED).
- Standard filament lamp models and low-energy CFT compact fluorescent models.
- 360° All-round and 270° All-over visibility.

		Filament Lamp				CFT
Supply voltage	12Vuc	24Vuc	50Vuc	115Vuc	230Vuc	230Vac
Supply voltage limits				± 15%		± 15%
Supply current	1.75A	875mA	300mA	130mA	110mA	45mA
Luminous intensity						
	Red	12Cd	11Cd	11Cd	19Cd	12Cd
	Amber	45Cd	34Cd	34Cd	56Cd	45Cd
	Green	27Cd	20Cd	20Cd	34Cd	27Cd
	Blue	9Cd	7Cd	7Cd	11Cd	9Cd
	Clear	60Cd	45Cd	45Cd	75Cd	60Cd
Lamp rating	21W	15W	15W	15W	25W	10W
Temperature limits					-20C, +55C	
IEC protection class					IP65	



Example Order Code: SBM/AC/230/CFT/Red



For Installation Accessories please refer to page 73

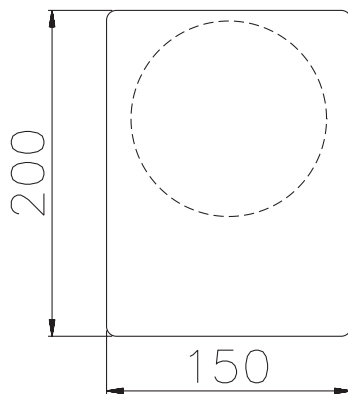
D.G. Controls Limited

Cadley Hill Road, Swadlincote, Derbyshire, DE11 9TB, ENGLAND.

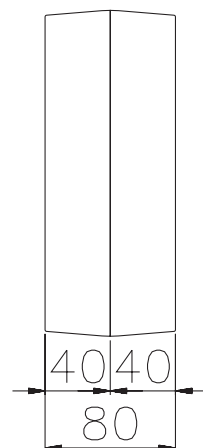
Tel: +44 (0) 1283 550850 Fax: +44 (0) 1283 550776 E-mail: sales@deegee.com www: http://www.deegee.com

Copyright © Reserved

Series N



4 off 5Ø fixing holes on 133mm square pattern.



High intensity directional warning beacons ideal for long-range signalling applications. Incorporates fixing holes on 133 x 133mm centres. No pre-drilled cable entries are supplied, giving the installation engineer maximum flexibility of cable entry choice. High grade engineering, UV-stabilised Polycarbonate Base and Lens.

Cage Guard : None available
Wall Mounting Brackets: MB8

XFN/2.5 Joule Xenon Strobe Beacon

- Low-energy, very high-intensity xenon strobe beacon.
- Ideal for long-range signalling, for example in long corridors or tunnels.
- Repetitive Single Flash (SH) model.
- Long-life xenon tube - typically > 20,000,000 flashes.
- 12Vdc, 24Vdc, 115Vac and 230Vac 2.5 Joule models.
- ±8° narrow signalling beam.

Supply voltage	12Vdc	24Vdc	115Vac	230Vac
Supply voltage limits			± 15%	
Supply current	330mA	170mA	60mA	30mA
Luminous intensity				
Red			192Cd	
Amber			576Cd	
Green			576Cd	
Blue			192Cd	
Clear			960Cd	
Flash Energy			2.5J	
Flash Event			SH Only	
Flash rate adjustment			60 fpm (1Hz)	
Temperature limits			-40C, +55C	
IEC protection class			IP65	

Example Order Code: XFN/DC/12/SH/2.5J/Red

XFN/11 Joule Xenon Strobe Beacon

- High-energy version of standard XFN/2.5J.
- Ideal for ceiling mounting in addition to signalling in long corridors or tunnels.
- Repetitive Double Flash (DH) and Single Flash (SH) models.
- Long-life xenon tube - typically > 20,000,000 flashes.
- 12Vuc, 24Vuc, 115Vac and 230Vac 11 Joule models.
- /SYNC terminals to allow multiple units to be flashed in synchronisation.
- ±3° narrow signalling beam with additional 360° All-round visibility.

Supply voltage	12Vuc	24Vuc	115Vac	230Vac
Supply voltage limits			± 15%	
Supply current	1.36A	680mA	160mA	80mA
Luminous intensity				
Red			180Cd	
Amber			414Cd	
Green			414Cd	
Blue			180Cd	
Clear			690Cd	
Flash Energy			11J	
Flash Event			DH or SH	
Flash rate adjustment			30, 45, 60, 90 fpm	
Temperature limits			-40C, +55C	
IEC protection class			IP65	

Example Order Code: XFN/UC/24/SH/11J/Red

For Installation Accessories please refer to page 73

D.G. Controls Limited

Cadley Hill Road, Swadlincote, Derbyshire, DE11 9TB, ENGLAND.

Tel: +44 (0) 1283 550850 Fax: +44 (0) 1283 550776 E-mail: sales@deegee.com www: http://www.deegee.com

Copyright © Reserved



Series N



PSN/B15D Pulsed (Flashing) Beacon

- Uni-directional long-range signalling.
- Solid-state operation.
- 12Vdc, 24Vdc, 115Vac and 230Vac versions.
- 24Vac version available to order - see 24Vdc versions for specification but order as PSN/AC/24/B15D/*.
- 50% duty cycle (equal on/off periods).
- ±8° Narrow signalling beam.

Supply voltage	12Vdc	24Vdc	115Vac	230Vac
Supply voltage limits			± 15%	
Supply current	4A	2A	520mA	260mA
Luminous intensity	Red	385Cd		480Cd
	Amber	1155Cd		1440Cd
	Green	693Cd		864Cd
	Blue	231Cd		288Cd
	Clear	1540Cd		1920Cd
Lamp rating		48W		60W
Max slave load			n/a	
Flash/min			40fpm (0.667Hz)	
Temperature limits			-20C, +55C	
IEC protection class			IP65	



Example Order Code: PSN/DC/24/B15D/Green



SBN Static (Non-flashing) Beacon

- Ideal slave unit (not CFT) to conventional *deegee* pulsed beacons (not LED)
- Available in the standard voltages of 12V, 24V, 50V, 115V and 230V. AC or DC operation (B15D bulb included).
- Also available without fitted bulb (Voltage designation 'O')
- 230Vac compact fluorescent model (CFT) also available.
- ±8° Narrow signalling beam (not CFT).

		Filament Lamp				CFT
Supply voltage	12Vuc	24Vuc	50Vuc	115Vuc	230Vuc	230Vac
Supply voltage limits				± 15%		
Supply current	4A	2A	300mA	520mA	260mA	45mA
Luminous intensity	Red	385Cd	120Cd		480Cd	12Cd
	Amber	1155Cd	360Cd		1440Cd	45Cd
	Green	693Cd	216Cd		864Cd	27Cd
	Blue	231Cd	72Cd		288Cd	9Cd
	Clear	1540Cd	480Cd		1920Cd	60Cd
Lamp rating		48W	15W		60W	10W
Temperature limits				-20C, +55C		
IEC protection class				IP65		



Example Order Code: SBN/AC/230/CFT/Blue



For Installation Accessories please refer to page 73

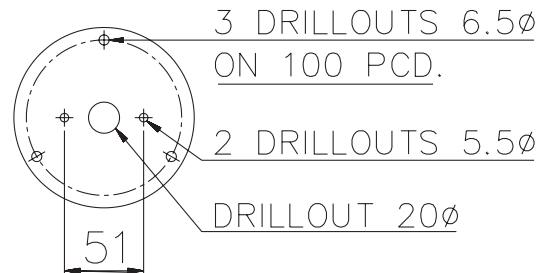
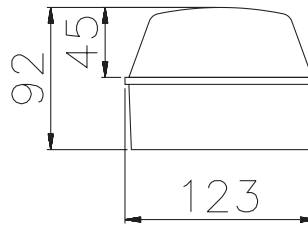
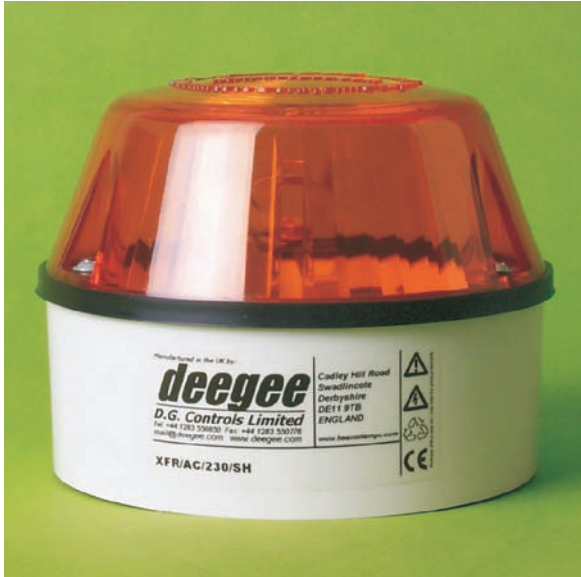
D.G. Controls Limited

Cadley Hill Road, Swadlincote, Derbyshire, DE11 9TB, ENGLAND.

Tel: +44 (0) 1283 550850 Fax: +44 (0) 1283 550776 E-mail: sales@deegee.com www: http://www.deegee.com

Copyright © Reserved

Series R



Low profile hazard warning beacon with optimised crown fresnel lensing to maximise available light transfer for enhanced long-range visibility. Incorporates fixing drillouts on 51mm centres for direct conduit box mounting (gasket supplied) with alternative 3 drillouts on 100mm PCD. Central 20mm drillout in base for cable entry. High grade engineering, UV-stabilised plastics (ABS Base, Polycarbonate Lens).

Cage Guard : None Available
Wall Mounting Brackets : MB1, MB1A, MB2/White or MB2/Black
Beacon Pole Mount : PM/250B

XFR/7 Joule Xenon Strobe Beacon

- Medium energy xenon strobe beacon.
- Repetitive Single Flash (SH) models.
- Long-life xenon tube - typically > 20,000,000 flashes.
- 12Vdc, 24Vdc, 115Vac and 230Vac 7 Joule models.
- /SYNC terminals to allow multiple units to be flashed in synchronisation.
- 360° All-round and 270° All-over visibility.

Supply voltage	12Vdc	24Vdc	115Vac	230Vac
Supply voltage limits			± 15%	
Supply current	500mA	360mA	130mA	65mA
Luminous intensity				
Red			85Cd	
Amber			250Cd	
Green			112Cd	
Blue			60Cd	
Clear			425Cd	
Flash Energy			7J	
Flash Event			SH	
Flash rate adjustment			60 fpm (1Hz)	
Temperature limits			-40C, +55C	
IEC protection class			IP65	

Example Order Code: XFR/UC/24/SH/7J/Red

XFR/2.5 Joule Xenon Strobe Beacon

- Low energy xenon strobe beacon.
- Repetitive Single Flash (SH) models.
- Long-life xenon tube - typically > 20,000,000 flashes.
- 12Vdc, 24Vdc, 115Vac and 230Vac 2.5 Joule models.
- 360° All-round and 270° All-over visibility.

Supply voltage	12Vdc	24Vdc	115Vac	230Vac
Supply voltage limits			± 15%	
Supply current	330mA	170mA	60mA	30mA
Luminous intensity				
Red			30Cd	
Amber			89Cd	
Green			40Cd	
Blue			21Cd	
Clear			152Cd	
Flash Energy			2.5J	
Flash Event			SH	
Flash rate adjustment			60 fpm (1Hz)	
Temperature limits			-40C, +55C	
IEC protection class			IP65	

Example Order Code: XFR/AC/230/SH/2.5J/Amber

For Installation Accessories please refer to page 73

D.G. Controls Limited

Cadley Hill Road, Swadlincote, Derbyshire, DE11 9TB, ENGLAND.

Tel: +44 (0) 1283 550850 Fax: +44 (0) 1283 550776 E-mail: sales@deegee.com www: http://www.deegee.com

Copyright © Reserved



Series R



PSR/B15D Pulsed (Flashing) Beacon

- Solid-state operation.
- 12Vdc, 24Vdc, 115Vac and 230Vac versions.
- 24Vac version available to order - see 24Vdc versions for specification.
- 50% duty cycle (equal on/off periods).
- Terminals on-board for additional slave beacons - up to rated maximum slave load.
- 360° All-round and 270° All-over visibility.

Supply voltage		12Vdc	24Vdc	115Vac	230Vac
Supply voltage limits				± 15%	
Supply current		1.75A	875mA	130mA	65mA
Luminous intensity	Red	40Cd	40Cd	11Cd	24Cd
	Amber	118Cd	118Cd	32Cd	71Cd
	Green	52Cd	52Cd	14Cd	31Cd
	Blue	28Cd	28Cd	8Cd	17Cd
	Clear	200Cd	200Cd	55Cd	120Cd
Lamp rating		21W	21W	15W	25W
Flash/min				40fpm (0.667Hz)	
Temperature limits				-20C, +55C	
IEC protection class				IP65	



Example Order Code: PSR/AC/115/B15D/Amber



SBR Static (Non-flashing) Beacon

- Continuously rated indicator lamps.
- Ideal slaves to conventional pulsed **deegee** beacons (not LED).
- Standard filament lamp models.
- 360° All-round and 270° All-over visibility.

Supply voltage		12Vdc	24Vdc	50Vdc	115Vac	230Vac
Supply voltage limits				± 15%		
Supply current		1.75A	875mA	300mA	130mA	110mA
Luminous intensity	Red	40Cd	40Cd	11Cd	11Cd	24Cd
	Amber	118Cd	118Cd	32Cd	32Cd	71Cd
	Green	52Cd	52Cd	14Cd	14Cd	31Cd
	Blue	28Cd	28Cd	8Cd	8Cd	17Cd
	Clear	200Cd	200Cd	55Cd	55Cd	120Cd
Lamp rating		21W	21W	15W	15W	25W
Temperature limits				-20C, +55C		
IEC protection class				IP65		



Example Order Code: SBR/UC/230/B15D/Green



RFR/LED Revolving LED Beacon

- Solid-state LED beacon with revolving (simulated rotating) light effect.
- 360° 'all-round' visibility.
- No moving parts.
- High density LED matrix.
 - Long-life LEDs (>100,000 hours typical)
- Ultra-low current draw relative to achieved light output.

Supply voltage		12Vdc	24Vdc	115Vac	230Vac
Supply voltage limits				± 15%	
Supply current				25mA	
Number of LEDs	Red			40	
	Amber			40	
	Green			40	
	Blue			24	
	Clear			24	
Luminous intensity				8Cd	
Flash/min				150fpm (2.5Hz)	
Temperature limits				-40C, +55C	
IEC protection class				IP65	



Example Order Code: RFR/AC/230/LED/Red



PSR/LED Pulsed (Flashing) LED Beacon

- Pulsed beacon incorporating high density LED matrix.
- 360° 'all-round' visibility.
- Long-life LEDs (>100,000 hours typical).
- User selectable pulsed/static (flashing/non-flashing) operation by simple jumper link change.
- Very low current draw.

Supply voltage		12Vdc	24Vdc	115Vac	230Vac
Supply voltage limits				± 15%	
Supply current		70mA	35mA	10mA	10mA
Number of LEDs	Red			30	
	Amber			30	
	Green			30	
	Blue			18	
	Clear			18	
Luminous intensity				8Cd	
Flash/min				120fpm (2Hz)	
Temperature limits				-40C, +55C	
IEC protection class				IP65	



Example Order Code: PSR/AC/115/LED/Amber

For Installation Accessories please refer to page 73

D.G. Controls Limited

Cadley Hill Road, Swadlincote, Derbyshire, DE11 9TB, ENGLAND.

Tel: +44 (0) 1283 550850 Fax: +44 (0) 1283 550776 E-mail: sales@deegee.com www: http://www.deegee.com

Copyright © Reserved

Series R

SBR/LED Static (Non-flashing) LED Beacon

- Static (non-flashing) LED beacon
- 360° All-round visibility.
- High-density LED Matrix.
- Long-life LEDs (>100,000 hours typical).
- Ideal low-current slave to conventional **deegee** pulsed beacons (not LED).

Supply voltage	12Vdc	24Vdc	115Vac	230Vac
Supply voltage limits			± 15%	
Supply current	140mA	70mA	20mA	20mA
Number of LEDs	Red		30	
	Amber		30	
	Green		30	
	Blue		18	
	Clear		18	
Luminous Intensity			8Cd	
Temperature limits			-40C, +55C	
IEC protection class			IP65	



Example Order Code: SBR/AC/230/LED/Green

SBR/UNI-LED Static Unidirectional LED Beacon

- Uni-directional LED beacon.
- Light exits top of beacon dome.
- Ideal for wall-mounted status signalling.
- Ideal low-current slave to conventional **deegee** pulsed beacons (not LED).
- High density LED matrix.
- Long-life LEDs (>100,000 hours typical).

Supply voltage	12Vdc	24Vdc	115Vac	230Vac
Supply voltage limits			± 15%	
Supply current	180mA	90mA	25mA	25mA
Number of LEDs	Red		32	
	Amber		32	
	Green		32	
	Blue*		32	
	Clear*		32	
Luminous intensity			Cd	
Temperature limits			-40C, +55C	
IEC protection class			IP65	



* Blue and Clear currently unavailable in 12Vdc.

Example Order Code: SBR/AC/230/UNI-LED/Green

PSR/ULP-LED Pulsed (Flashing) LED Beacon

- Ultra-low-power version of the PSR/LED Pulsed beacon incorporating high-efficiency LED matrix.
- 360° All-round and 180° All-over visibility.
- Long-life LEDs (>100,000 hours typical).
- Normally pulsed. Can be converted to static operation by removal of fixed link on PCB.
- Very low current draw.
- Also available as combined beacon/sounder unit - see page 69.

Supply voltage	12Vdc	24Vdc	115Vac	230Vac
Supply voltage limits			± 15%	
Supply current	40mA	30mA	10mA	10mA
Number of LEDs	Red		12	
	Amber		12	
	Green		12	
	Blue		12	
	Clear		12	
Luminous intensity			7Cd	
Flash/min			120fpm (2Hz)	
Temperature limits			-40C, +55C	
IEC protection class			IP65	



Example Order Code: PSR/DC/24/ULP-LED/Red

SBR/ULP-LED Static (Non-flashing) LED Beacon

- Ultra-low-power version of the SBR/LED Static (non-flashing) LED beacon.
- 360° All-round and 180° All-over visibility.
- High-efficiency LED Matrix.
- Long-life LEDs (>100,000 hours typical).
- Ideal low-current slave to conventional **deegee** pulsed beacons (not LED).
- Also available as combined beacon/sounder unit - see page 69.

Supply voltage	12Vdc	24Vdc	115Vac	230Vac
Supply voltage limits			± 15%	
Supply current	80mA	60mA	20mA	20mA
Number of LEDs	Red		12	
	Amber		12	
	Green		12	
	Blue		12	
	Clear		12	
Luminous Intensity			7Cd	
Temperature limits			-40C, +55C	
IEC protection class			IP65	



Example Order Code: SBR/AC/115/ULP-LED/Amber

For Installation Accessories please refer to page 73

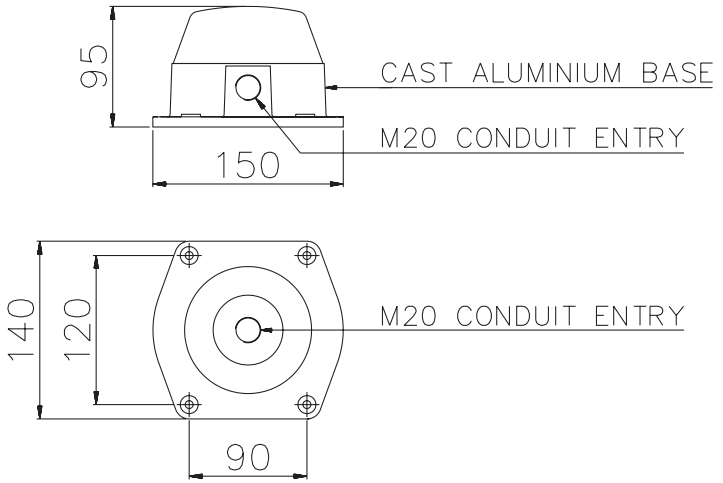
D.G. Controls Limited

Cadley Hill Road, Swadlincote, Derbyshire, DE11 9TB, ENGLAND.

Tel: +44 (0) 1283 550850 Fax: +44 (0) 1283 550776 E-mail: sales@deegee.com www: http://www.deegee.com

Copyright © Reserved

Series S



Heavy duty version of the low profile Series R hazard warning beacon featuring the same optimised crown fresnel lensing to maximise available light transfer for enhanced long-range visibility. Incorporates four fixing holes on 90 x 120mm centres for direct surface mounting or clamping (clamps not supplied). Threaded M20 entries in base and side for direct conduit/gland coupling. EPC coated cast aluminium base with UV-stabilised Polycarbonate Lens.

Cage Guard : None Available
Wall Mounting Brackets: MB7

XFS/7 Joule Xenon Strobe Beacon

- Medium energy xenon strobe beacon.
- Repetitive Single Flash (SH) models.
- Long-life xenon tube - typically > 20,000,000 flashes.
- 12Vdc, 24Vdc, 115Vac and 230Vac 7 Joule models.
- /SYNC terminals to allow multiple units to be flashed in synchronisation.
- 360° All-round and 270° All-over visibility.

Supply voltage	12Vdc	24Vdc	115Vac	230Vac
Supply voltage limits			± 15%	
Supply current	500mA	360mA	130mA	65mA
Luminous intensity				
Red			85Cd	
Amber			250Cd	
Green			112Cd	
Blue			60Cd	
Clear			425Cd	
Flash Energy			7J	
Flash Event			SH	
Flash rate adjustment			60 fpm (1Hz)	
Temperature limits			-40C, +55C	
IEC protection class			IP65	

Example Order Code: XFS/AC/115/SH/7J/Blue

XFS/2.5 Joule Xenon Strobe Beacon

- Low energy xenon strobe beacon.
- Repetitive Single Flash (SH) models.
- Long-life xenon tube - typically > 20,000,000 flashes.
- 12Vdc, 24Vdc, 115Vac and 230Vac 2.5 Joule models.
- 360° All-round and 270° All-over visibility.

Supply voltage	12Vdc	24Vdc	115Vac	230Vac
Supply voltage limits			± 15%	
Supply current	330mA	170mA	60mA	30mA
Luminous intensity				
Red			30Cd	
Amber			89Cd	
Green			40Cd	
Blue			21Cd	
Clear			152Cd	
Flash Energy			2.5J	
Flash Event			SH	
Flash rate adjustment			60 fpm (1Hz)	
Temperature limits			-40C, +55C	
IEC protection class			IP65	

Example Order Code: XFS/DC/12/SH/2.5J/Red

For Installation Accessories please refer to page 73

D.G. Controls Limited

Cadley Hill Road, Swadlincote, Derbyshire, DE11 9TB, ENGLAND.

Tel: +44 (0) 1283 550850 Fax: +44 (0) 1283 550776 E-mail: sales@deegee.com www: http://www.deegee.com

Copyright © Reserved

Series S

PSS/B15D Pulsed (Flashing) Beacon

- Solid-state operation.
- 12Vdc, 24Vdc, 115Vac and 230Vac versions.
- 24Vac version available to order - see 24Vdc versions for specification.
- 50% duty cycle (equal on/off periods).
- Terminals on-board for additional slave beacons - up to rated maximum slave load.
- 360° All-round and 270° All-over visibility.

Supply voltage	12Vdc	24Vdc	115Vac	230Vac	
Supply voltage limits			± 15%		
Supply current	1.75A	875mA	130mA	65mA	
Luminous intensity	Red	40Cd	40Cd	11Cd	24Cd
	Amber	118Cd	118Cd	32Cd	71Cd
	Green	52Cd	52Cd	14Cd	31Cd
	Blue	28Cd	28Cd	8Cd	17Cd
	Clear	200Cd	200Cd	55Cd	120Cd
Lamp rating	21W	21W	15W	25W	
Flash/min	40fpm (0.667Hz)				
Temperature limits	-20C, +55C				
IEC protection class	IP65				

Example Order Code: PSS/DC/24/B15D/Red

SBS Static (Non-flashing) Beacon

- Continuously rated indicator lamps.
- Ideal slaves to conventional pulsed **deegee** beacons (not LED).
- Standard filament lamp models.
- 360° All-round and 270° All-over visibility.

Supply voltage	12Vuc	24Vuc	50Vuc	115Vuc	230Vuc
Supply voltage limits			± 15%		
Supply current	1.75A	875mA	300mA	130mA	110mA
Luminous intensity	Red	40Cd	40Cd	11Cd	24Cd
	Amber	118Cd	118Cd	32Cd	71Cd
	Green	52Cd	52Cd	14Cd	31Cd
	Blue	28Cd	28Cd	8Cd	17Cd
	Clear	200Cd	200Cd	55Cd	120Cd
Lamp rating	21W	21W	15W	15W	25W
Temperature limits	-20C, +55C				
IEC protection class	IP65				

Example Order Code: SBS/UC/12/B15D/Green

RFS/LED Revolving LED Beacon

- Solid-state LED beacon with revolving (simulated rotating) light effect.
- 360° 'all-round' visibility.
- No moving parts.
- High density LED matrix.
 - Long-life LEDs (>100,000 hours typical)
- Ultra-low current draw relative to achieved light output.

Supply voltage	12Vdc	24Vdc	115Vac	230Vac
Supply voltage limits			± 15%	
Supply current	25mA			
Number of LEDs	Red	40		
	Amber	40		
	Green	40		
	Blue	24		
	Clear	24		
Luminous intensity	8Cd			
Flash/min	150fpm (2.5Hz)			
Temperature limits	-40C, +55C			
IEC protection class	IP65			

Example Order Code: RFS/AC/115/LED/Amber

PSS/LED Pulsed (Flashing) LED Beacon

- Pulsed beacon incorporating high density LED matrix.
- 360° 'all-round' visibility.
- Long-life LEDs (>100,000 hours typical).
- User selectable pulsed/static (flashing/non-flashing) operation by simple jumper link change.
- Very low current draw.

Supply voltage	12Vdc	24Vdc	115Vac	230Vac
Supply voltage limits			± 15%	
Supply current	70mA	35mA	10mA	10mA
Number of LEDs	Red	30		
	Amber	30		
	Green	30		
	Blue	18		
	Clear	18		
Luminous intensity	8Cd			
Flash/min	120fpm (2Hz)			
Temperature limits	-40C, +55C			
IEC protection class	IP65			

Example Order Code: PSS/DC/24/LED/Red

For Installation Accessories please refer to page 73

D.G. Controls Limited

Cadley Hill Road, Swadlincote, Derbyshire, DE11 9TB, ENGLAND.

Tel: +44 (0) 1283 550850 Fax: +44 (0) 1283 550776 E-mail: sales@deegee.com www: http://www.deegee.com

Copyright © Reserved



Series S



SBS/LED Static (Non-flashing) LED Beacon

- Static (non-flashing) LED beacon.
- 360° All-round visibility.
- High-density LED Matrix.
- Long-life LEDs (>100,000 hours typical).
- Ideal low-current slave to conventional **deege** pulsed beacons (not LED).

Supply voltage	12Vdc	24Vdc	115Vac	230Vac
Supply voltage limits			± 15%	
Supply current	140mA	70mA	20mA	20mA
Number of LEDs				
	Red		30	
	Amber		30	
	Green		30	
	Blue		18	
	Clear		18	
Luminous Intensity			8Cd	
Temperature limits			-40C, +55C	
IEC protection class			IP65	



Example Order Code: SBS/AC/230/LED/Amber



SBS/UNI-LED Static Unidirectional LED Beacon

- Uni-directional LED beacon.
- Light exits top of beacon dome.
- Ideal for wall-mounted status signalling.
- Ideal low-current slave to conventional **deege** pulsed beacons (not LED).
- High density LED matrix.
- Long-life LEDs (>100,000 hours typical).

Supply voltage	12Vdc	24Vdc	115Vac	230Vac
Supply voltage limits			± 15%	
Supply current	180mA	90mA	25mA	25mA
Number of LEDs				
	Red		32	
	Amber		32	
	Green		32	
	Blue*		32	
	Clear*		32	
Luminous intensity			Cd	
Temperature limits			-40C, +55C	
IEC protection class			IP65	



* Blue and Clear currently unavailable in 12Vdc.

Example Order Code: SBS/DC/24/UNI-LED/Red



PSS/ULP-LED Pulsed (Flashing) LED Beacon

- Ultra-low-power version of the PSR/LED Pulsed beacon incorporating high-efficiency LED matrix.
- 360° All-round and 180° All-over visibility.
- Long-life LEDs (>100,000 hours typical).
- Normally pulsed. Can be converted to static operation by removal of fixed link on PCB.
- Very low current draw.
- Also available as combined beacon/sounder unit - see page 69.

Supply voltage	12Vdc	24Vdc	115Vac	230Vac
Supply voltage limits			± 15%	
Supply current	40mA	30mA	10mA	10mA
Number of LEDs				
	Red		12	
	Amber		12	
	Green		12	
	Blue		12	
	Clear		12	
Luminous intensity			7Cd	
Flash/min			120fpm (2Hz)	
Temperature limits			-40C, +55C	
IEC protection class			IP65	



Example Order Code: PSS/DC/12/ULP-LED/Red



SBS/ULP-LED Static (Non-flashing) LED Beacon

- Ultra-low-power version of the SBR/LED Static (non-flashing) LED beacon.
- 360° All-round and 180° All-over visibility.
- High-efficiency LED Matrix.
- Long-life LEDs (>100,000 hours typical).
- Ideal low-current slave to conventional **deege** pulsed beacons (not LED).
- Also available as combined beacon/sounder unit - see page 69.

Supply voltage	12Vdc	24Vdc	115Vac	230Vac
Supply voltage limits			± 15%	
Supply current	80mA	60mA	20mA	20mA
Number of LEDs				
	Red		12	
	Amber		12	
	Green		12	
	Blue		12	
	Clear		12	
Luminous Intensity			7Cd	
Temperature limits			-40C, +55C	
IEC protection class			IP65	



Example Order Code: SBS/AC/115/ULP-LED/Green



For Installation Accessories please refer to page 73

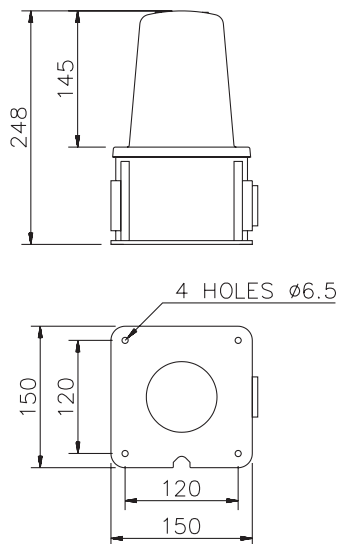
D.G. Controls Limited

Cadley Hill Road, Swadlincote, Derbyshire, DE11 9TB, ENGLAND.

Tel: +44 (0) 1283 550850 Fax: +44 (0) 1283 550776 E-mail: sales@deege.com www: http://www.deege.com

Copyright © Reserved

Series T



Heavy-duty industrial beacon lamps featuring UV-stabilised polycarbonate base and lens. May be used singly or in groups with other Series T, Series U, Series V or Series W beacons for multi-status signalling. Unique ratchet system allows individual units to be orientated in respect to each other in 10° steps when multiple devices are clamped together. Incorporates fixing holes on 120 x 120mm centres for direct surface mounting and two 20mm dia. entries (one each side) for direct conduit/gland entry and/or to facilitate linking together of multiple units. Gland, Blanking Plug, Joining Tube, Sealing O-ring and Locknuts are provided for use singly or in groups of 2 or more co-joined beacons. Additional (un-drilled) entry available in underside.

Cage Guard : G5 or G8
Wall Mounting Brackets: MB14 (fixed right-angle) or MB15 (adjustable pivot)

RFT/B15D Rotating Mirror Beacon

- Heavy duty version of our most popular rotating mirror beacon.
- Unique 'quiet-drive' system incorporating direct motor/turntable self-adjusting coupling and long life ball-race bearing. Eliminates nuisance of drive belt breakage and reduces drive-train noise.
- 360° All-round visibility.
- 24Vac, 50Vac, 110Vdc and 240Vdc models also available.

Supply voltage	12Vdc	24Vdc	115Vac	230Vac
Supply voltage limits			± 15%	
Supply current	4.15A	2.15A	540mA	270mA
Luminous intensity				
Red	64Cd			80Cd
Amber	192Cd			240Cd
Green	115Cd			143Cd
Blue	38Cd			48Cd
Clear	256Cd			319Cd
Lamp rating	48W			60W
Reflector		80mm, ±3°		
Flash/min		180fpm (3Hz)		
Temperature limits		-20C, +55C		
IEC protection class		IP65		

Example Order Code: RFT/AC/230/B15D/Red

RFT/TH Rotating Mirror Beacon with Tungsten Halogen Lamp

- High intensity H1 Tungsten Halogen version.
- Unique 'quiet-drive' system incorporating direct motor/turntable coupling and long life ball-race bearing. Eliminates nuisance of drive belt breakage and reduces drive-train noise.
- 360° All-round visibility.
- 115Vac and 230Vac versions available.

Supply voltage	12Vdc	24Vdc
Supply voltage limits		± 15%
Supply current	4.75A	3A
Luminous intensity		
Red	146Cd	187Cd
Amber	439Cd	562Cd
Green	264Cd	337Cd
Blue	88Cd	112Cd
Clear	586Cd	750Cd
Lamp rating	55W	70W
Reflector		80mm, ±3°
Flash/min		180fpm (3Hz)
Temperature limits		-20C, +55C
IEC protection class		IP65

Example Order Code: RFT/DC/24/TH70/Blue

For Installation Accessories please refer to page 73

D.G. Controls Limited

Cadley Hill Road, Swadlincote, Derbyshire, DE11 9TB, ENGLAND.

Tel: +44 (0) 1283 550850 Fax: +44 (0) 1283 550776 E-mail: sales@deegee.com www: http://www.deegee.com

Copyright © Reserved



Series T



XFT/11 Joule and XFT/5 Joule Xenon Strobe Beacon

- High energy xenon strobe beacon.
- Repetitive Dual Flash (DH) and Single Flash (SH) models.
- Long-life xenon tube - typically > 20,000,000 flashes.
- 12Vdc, 24Vdc, 115Vac and 230Vac 11 Joule models.
- 12-100Vdc (12-72Vac) automatic voltage-ranging 5 Joule model (VRA).
- /SYNC terminals allow multiple units to be flashed in synchronisation.
- 360° All-round and 270° All-over visibility.
- Special 240Vdc model also available.

Supply voltage	12Vdc	24Vdc	115Vac	230Vac	VRA
Supply voltage limits			± 15%		n/a
Supply current	1.36A	680mA	160mA	80mA	7W
Luminous intensity	Red		44Cd		20Cd
	Amber		132Cd		60Cd
	Green		132Cd		60Cd
	Blue		44Cd		20Cd
	Clear		220Cd		100Cd
Flash Energy			11J		5J
Flash Event			DH or SH		SH Only
Flash rate adjustment			30, 45, 60, 90 fepm		
Temperature limits			-40C, +55C		
IEC protection class			IP65		

Example Order Code: XFT/AC/115/DH/11J/Amber



PST/B15D Pulsed (Flashing) Beacon

- Solid-state operation.
- 12Vdc, 24Vdc, 115Vac and 230Vac versions.
- 24Vac version available to order - See 24Vdc versions for specification.
- 50% duty cycle (equal on/off periods).
- Terminals on-board for additional slave beacons - up to rated maximum slave load.
- 360° All-round and 270° All-over visibility.
- Alternative lamps and lamp caps available, e.g. E14.

Supply voltage	12Vdc	24Vdc	115Vac	230Vac
Supply voltage limits			± 15%	
Supply current	4A	2A	520mA	260mA
Luminous intensity	Red	13Cd		15Cd
	Amber	38Cd		45Cd
	Green	23Cd		27Cd
	Blue	8Cd		9Cd
	Clear	50Cd		60Cd
Lamp rating		48W		60W
Max slave load	21W	48W	120W	300W
Flash/min			40fpm (0.667Hz)	
Temperature limits			-20C, +55C	
IEC protection class			IP65	

Example Order Code: PST/DC/12/B15D/Green



SBT Static (Non-flashing) Beacon

- 12V, 24V, 50V, 115V and 230V models. AC or DC operation (B15D lamp supplied).
- 230Vac compact fluorescent model (CFT) also available.
- Can be supplied without bulb (Voltage designation 'O').
- Ideal slave unit (not CFT) to conventional **deege** pulsed beacons (not LED).
- 360° All-round and 270° All-over visibility.
- Alternative lamps and lamp caps available, e.g. E14, E27 and B22.

		Filament Lamp				CFT
Supply voltage	12Vdc	24Vdc	50Vdc	115Vac	230Vac	230Vac
Supply voltage limits			± 15%			
Supply current	4A	2A	300mA	520mA	260mA	45mA
Luminous intensity	Red	13Cd	4Cd	15Cd		12Cd
	Amber	38Cd	11Cd	45Cd		45Cd
	Green	23Cd	7Cd	27Cd		27Cd
	Blue	8Cd	2Cd	9Cd		9Cd
	Clear	50Cd	15Cd	60Cd		60Cd
Lamp rating		48W	15W	60W		10W
Temperature limits			-20C, +55C			
IEC protection class			IP65			

Example Order Code: SBT/AC/230/CFT/Red



MFT/LED Multi-function LED Beacon

- High density matrix of long-life LEDs.
- Multiple functions selectable by either on-board jumper links or external switching.
- 360° All-round visibility.
- Single unit can indicate eight different switchable warning signals: -
 - Static
 - Pulsed 3 speeds 40, 120 and 300 fpm
 - Wig-Wag 2 styles 120 cycles per minute
 - Chasing 60 cycles per minute
 - Off

Supply voltage	12Vdc	24Vdc	115Vac	230Vac
Supply voltage limits			± 15%	
Supply current	160mA	160mA	9mA	9mA
Number of LEDs	Red		48	
	Amber		48	
	Green		48	
	Blue		24	
	Clear		24	
Luminous Intensity			24Cd	
Flash/min			Mode Dependent	
Temperature limits			-40C, +55C	
IEC protection class			IP65	

Example Order Code: MFT/DC/12/LED/Red



For Installation Accessories please refer to page 73

D.G. Controls Limited

Cadley Hill Road, Swadlincote, Derbyshire, DE11 9TB, ENGLAND.

Tel: +44 (0) 1283 550850 Fax: +44 (0) 1283 550776 E-mail: sales@deege.com www: http://www.deege.com

Copyright © Reserved

Series T

RFT/RMLED Rotating Mirror LED Beacon

- Traditional rotating mirror with solid-state light source.
- High-output **AND** Low-power!
- 360° All-round visibility.
- Long-life LED (>100,000 hours typical).
- Ultra-low current draw means more units can be powered from a single source.
- Specifically ideal for systems that feature battery back-up in case of failure of the primary power source.

Supply voltage	12Vdc - 24Vdc		115Vac - 230Vac	
Supply voltage limits			± 15%	
Supply power	5W		7W	
Luminous intensity	Red	278Cd		
	Amber	163Cd		
	Green	178Cd		
	Blue	100Cd		
	Clear	278Cd		
Flash/min			120fpm (2Hz)	
Temperature limits			-20C, +55C	
IEC protection class			IP65	

Example Order Code: RFT/DC/12-24/RMLED/Red

RFT/LED Revolving and PST/LED Pulsed (Flashing) LED Beacons

- Solid-state LED beacon with either revolving (simulated rotating) or Pulsed light effect.
- 360° All-round visibility.
- No moving parts.
- Long-life LEDs (>100,000 hours typical).
- 50% duty cycle (equal on/off periods).
- User selectable pulsed/static (flashing/non-flashing) operation by simple jumper link change.
- Very low current draw.

Supply voltage	12Vdc	24Vdc	115Vac	230Vac
Supply voltage limits	± 15%			
Supply current (RFT/LED)	100mA	100mA	100mA	100mA
Supply current (PST/LED)	300mA	150mA	50mA	25mA
Number of LEDs	Red	120		
	Amber	120		
	Green	120		
	Blue	72		
	Clear	72		
Luminous intensity			16Cd	
Flash/min (RFT/LED)			150fpm (2.5Hz)	
Flash/min (PST/LED)			120fpm (2Hz)	
Temperature limits			-40C, +55C	
IEC protection class			IP65	

Example Order Code: RFT/AC/230/LED/Red or PST/DC/24/LED/Blue

SBT/LED Static (Non-flashing) LED Beacon - 360° All-round viewing

- Static (non-flashing) LED beacon
- 360° All-round visibility.
- Meets ICAO requirements for Low Intensity Obstruction Warning (Red only).
- High-density LED Matrix.
- Long-life LEDs (>100,000 hours typical).
- Ideal low-current slave to conventional **deege** pulsed beacons (not LED).

Supply voltage	12Vdc	24Vdc	115Vac	230Vac
Supply voltage limits	± 15%			
Supply current	600mA	300mA	100mA	50mA
Number of LEDs	Red	120		
	Amber	120		
	Green	120		
	Blue	72		
	Clear	72		
Luminous Intensity			16Cd	
Temperature limits			-40C, +55C	
IEC protection class			IP65	

Example Order Code: SBT/DC/12/LED/Green

SBT/AOV-LED (Non-flashing) Static LED Beacon - 360° All-round + 270° All-over viewing

- Static (non-flashing) LED beacon.
- 360° All-round' and 270° All-over visibility.
- Meets ICAO requirements for Low Intensity Obstruction Warning (Red only).
- Additional 48Vdc model for specialist applications.
- High-density LED Matrix.
- Long-life LEDs (>100,000 hours typical).
- Ideal low-current slave to conventional **deege** pulsed beacons (not LED).

Supply voltage	12Vdc	24Vdc	48Vdc	115Vac	230Vac
Supply voltage limits	± 15%				
Supply current	800mA	400mA	400mA	120mA	60mA
Number of LEDs	Red	160			
	Amber	160			
	Green	160			
	Blue	96			
	Clear	96			
Luminous Intensity			16Cd		
Temperature limits			-40C, +55C		
IEC protection class			IP65		

Example Order Code: SBT/DC/48/AOV-LED/Red

For Installation Accessories please refer to page 73

D.G. Controls Limited

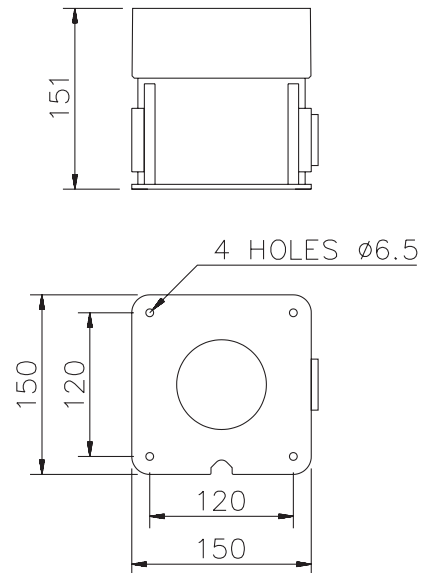
Cadley Hill Road, Swadlincote, Derbyshire, DE11 9TB, ENGLAND.

Tel: +44 (0) 1283 550850 Fax: +44 (0) 1283 550776 E-mail: sales@deege.com www: http://www.deege.com

Copyright © Reserved



Series U



Heavy duty forward-facing uni-directional indicator featuring UV-stabilised polycarbonate base, lens and hood. Lens features optimised crown fresnel lensing to maximise available light transfer for enhanced long-range visibility. May be used singly or in groups with other Series T, Series U, Series V or Series W beacons for multi-status signalling. Unique ratchet system allows individual units to be orientated in respect to each other in 10° steps when multiple devices are clamped together. Incorporates fixing holes on 120 x 120mm centres for direct surface mounting and two 20mm dia. entries (one each side) for direct conduit/gland entry and/or to facilitate linking together of multiple units. Gland, Blanking Plug, Joining Tube, Sealing O-ring and Locknuts are provided for use singly or in groups of 2 or more co-joined beacons.

Cage Guard : G9
Wall Mounting Brackets: MB14 (fixed right-angle) or MB15 (adjustable pivot)

SBU/B15D Uni-directional Indicator

- Static (non-flashing) filament lamp (SBC) indicator.
- Used in pairs (Red/Green) for loading-bay traffic-light applications.
- Ideal slave to conventional **deege** pulsed beacons (not LED).
- Can be pulsed using our FMU solid-state flasher module.

	Filament Lamp					CFT
	12Vuc	24Vuc	50Vuc	115Vuc	230Vuc	
Supply voltage	12Vuc	24Vuc	50Vuc	115Vuc	230Vuc	230Vac
Supply voltage limits	± 15%					± 15%
Supply current	1.75A	875mA	300mA	130mA	110mA	45mA
Luminous intensity	Red	188Cd	17Cd	17Cd	44Cd	28Cd
	Amber	356Cd	27Cd	27Cd	72Cd	72Cd
	Green	117Cd	7Cd	7Cd	23Cd	57Cd
	Blue	47Cd	3Cd	3Cd	9Cd	19Cd
	Clear	480Cd	37Cd	37Cd	117Cd	94Cd
Lamp rating	21W	15W	15W	25W	10W	
Temperature limits	-20C, +55C					
IEC protection class	IP65					

Example Order Code: SBU/UC/230/B15D/Red

SBU/LED Uni-directional Indicator

- Static (non-flashing) LED indicator.
- Used in pairs (Red/Green) for loading-bay traffic-light applications.
- High-density LED Matrix.
- Long-life LEDs (>100,000 hours typical).
- Ideal low-current slave to conventional **deege** pulsed beacons (not LED).
- Can be pulsed using our standard solid-state flasher module.
- Systems available singly and in 2's, 3's and 4's for specific approach warnings. See page 58.

	24Vuc	115Vuc	230Vuc
	Supply voltage	24Vuc	115Vuc
Supply voltage limits	± 15%		
Supply current	200mA	50mA	25mA
Luminous intensity	Red	11Cd	
	Amber	20Cd	
	Green	8Cd	
	Blue	4Cd	
	Clear	35Cd	
Number of LEDs	48		
Temperature limits	-40C, +55C		
IEC protection class	IP65		

Example Order Code: SBU/UC/24/LED/Green

For Installation Accessories please refer to page 73

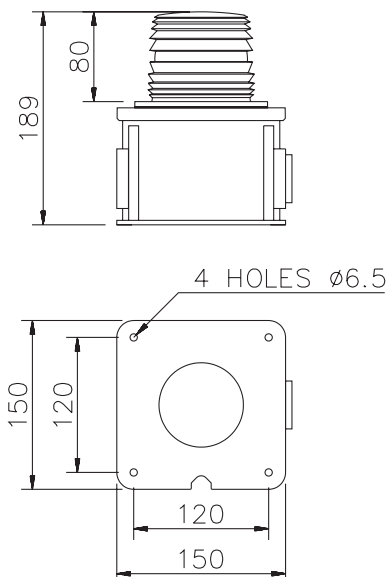
D.G. Controls Limited

Cadley Hill Road, Swadlincote, Derbyshire, DE11 9TB, ENGLAND.

Tel: +44 (0) 1283 550850 Fax: +44 (0) 1283 550776 E-mail: sales@deege.com www: http://www.deege.com

Copyright © Reserved

Series V



Innovative, heavy-duty industrial hazard warning beacon with optimised external lens ribbing to maximise available light transfer for enhanced long-range visibility. May be used singly or in groups with other Series T, Series U or Series V beacons for multi-status signalling. Unique ratchet system allows individual units to be orientated in respect to each other in 10° steps when multiple devices are clamped together. Incorporates fixing holes on 120 x 120mm centres for direct surface mounting and two 20mm dia. entries (one each side) for direct conduit/gland entry and/or to facilitate linking together of multiple units. Gland, Blanking Plug, Joining Tube, Sealing O-ring and Locknuts are provided for use singly or in groups of 2 or more co-joined beacons.

Cage Guard : G5 or G8
Wall Mounting Brackets: MB14 (fixed right-angle) or MB15 (adjustable pivot)

RFV/TH20 Rotating Mirror Beacon with Tungsten Halogen Lamp

- Lower powered rotating mirror beacon.
- Ideal for Fire Alarm applications where limited power is available.
- Unique 'quiet-drive' system incorporating direct motor/turntable self-adjusting coupling and long life ball-race bearing. Eliminates nuisance of drive belt breakage and reduces drive-train noise.
- 360° All-round visibility.
- 12Vdc and 24Vdc models available.

Supply voltage	12Vdc	24Vdc
Supply voltage limits		± 15%
Supply current	1.7A	950mA
Luminous intensity		
Red		25Cd
Amber		75Cd
Green		45Cd
Lamp rating		20W
Reflector		±3°
Flash/min		240fpm (3Hz)
Temperature limits		-20C, +55C
IEC protection class		IP65

Example Order Code: RFV/DC/24/TH20/Amber

XFV/11 Joule and Xfv/5 Joule Xenon Strobe Beacons

- High energy xenon strobe beacon.
- Repetitive Dual Flash (DH) and Single Flash (SH) models.
- Long-life xenon tube - typically > 20,000,000 flashes.
- 12Vuc, 24Vuc, 115Vac and 230Vac 11 Joule models.
- 12-100Vdc (12-72Vac) automatic voltage-ranging 5 Joule model (VRA).
- /SYNC terminals allow multiple units to be flashed in synchronisation.
- 360° All-round and 270° All-over visibility.
- Special 240Vdc model also available.

Supply voltage	12Vuc	24Vuc	115Vac	230Vac	VRA
Supply voltage limits			± 15%		n/a
Supply current	1.36A	680mA	160mA	80mA	7W
Luminous intensity					
Red			115Cd		52Cd
Amber			264Cd		120Cd
Green			264Cd		120Cd
Blue			88Cd		40Cd
Clear			440Cd		200Cd
Flash Energy			11J		5J
Flash Event			DH or SH		SH Only
Flash rate adjustment			30, 45, 60, 90 fepm		
Temperature limits			-40C, +55C		
IEC protection class			IP65		

Example Order Code: Xfv/UC/24/SH/11J/Red

For Installation Accessories please refer to page 73

D.G. Controls Limited

Cadley Hill Road, Swadlincote, Derbyshire, DE11 9TB, ENGLAND.

Tel: +44 (0) 1283 550850 Fax: +44 (0) 1283 550776 E-mail: sales@deegee.com www: http://www.deegee.com

Copyright © Reserved



Series V



XFV/7 Joule Xenon Strobe Beacon

- Medium energy xenon strobe beacon.
- Repetitive Single Flash (SH) models.
- Long-life xenon tube - typically > 20,000,000 flashes.
- 12Vdc, 24Vdc, 115Vac and 230Vac 7 Joule models.
- /SYNC terminals allow multiple units to be flashed in synchronisation.
- 360° All-round and 270° All-over visibility.

Supply voltage	12Vdc	24Vdc	115Vac	230Vac
Supply voltage limits			± 15%	
Supply current	500mA	360mA	130mA	65mA
Luminous intensity	Red		75Cd	
	Amber		168Cd	
	Green		168Cd	
	Blue		56Cd	
	Clear		280Cd	
Flash Energy			7J	
Flash Event			SH	
Flash rate adjustment			30, 45, 60, 90 fepm	
Temperature limits			-40C, +55C	
IEC protection class			IP65	



Example Order Code: XFV/DC/24/SH/7J/Red



XFV/2.5 Joule Xenon Strobe Beacon

- Low energy xenon strobe beacon.
- Repetitive Single Flash (SH) models.
- Long-life xenon tube - typically > 20,000,000 flashes.
- 12Vdc, 24Vdc, 115Vac and 230Vac 2.5 Joule models.
- 360° All-round and 270° All-over visibility.

Supply voltage	12Vdc	24Vdc	115Vac	230Vac
Supply voltage limits			± 15%	
Supply current	330mA	170mA	60mA	30mA
Luminous intensity	Red		26Cd	
	Amber		60Cd	
	Green		60Cd	
	Blue		20Cd	
	Clear		100Cd	
Flash Energy			2.5J	
Flash Event			SH	
Flash rate adjustment			60 fpm	
Temperature limits			-40C, +55C	
IEC protection class			IP65	



Example Order Code: XFV/AC/115/SH/2.5J/Green



PSV/B15D Pulsed (Flashing) Beacon

- Solid-state operation.
- 12Vdc, 24Vdc, 115Vac and 230Vac versions.
- 24Vac version available to order - see 24Vdc versions for specification.
- 50% duty cycle (equal on/off periods).
- Terminals on-board for additional slave beacons - up to rated maximum slave load.
- 360° All-round and 270° All-over visibility.

Supply voltage	12Vdc	24Vdc	115Vac	230Vac
Supply voltage limits			± 15%	
Supply current	1.75A	875mA	130mA	65mA
Luminous intensity	Red	15Cd	11Cd	19Cd
	Amber	45Cd	34Cd	56Cd
	Green	27Cd	20Cd	34Cd
	Blue	9Cd	7Cd	11Cd
	Clear	60Cd	45Cd	75Cd
Lamp rating	21W		15W	25W
Max slave load	48W		180W	360W
Flash/min			40fpm (0.667Hz)	
Temperature limits			-20C, +55C	
IEC protection class			IP65	



Example Order Code: PSV/AC/115/B15D/Amber



SBV Static (Non-flashing) Beacon

- Continuously rated indicator lamps.
- Ideal slaves (not CFT) to conventional pulsed *deegee* beacons (not LED).
- Standard filament lamp models and low-energy CFT compact fluorescent models.
- 360° All-round and 270° All-over visibility.

		Filament Lamp				CFT
Supply voltage	12Vdc	24Vdc	50Vdc	115Vdc	230Vdc	230Vac
Supply voltage limits				± 15%		± 15%
Supply current	1.75A	875mA	300mA	130mA	110mA	45mA
Luminous intensity	Red	12Cd	11Cd	11Cd	19Cd	12Cd
	Amber	45Cd	34Cd	34Cd	56Cd	45Cd
	Green	27Cd	20Cd	20Cd	34Cd	27Cd
	Blue	9Cd	7Cd	7Cd	11Cd	9Cd
	Clear	60Cd	45Cd	45Cd	75Cd	60Cd
Lamp rating	21W	15W	15W	15W	25W	10W
Temperature limits					-20C, +55C	
IEC protection class					IP65	



Example Order Code: SBV/UC/24/B15D/Clear



For Installation Accessories please refer to page 73

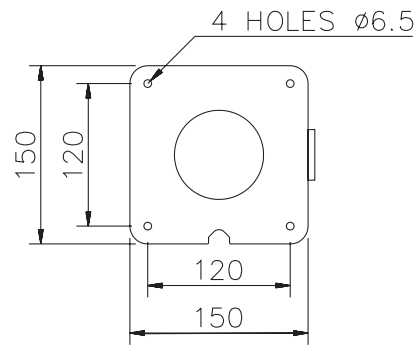
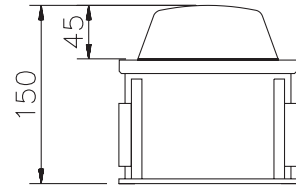
D.G. Controls Limited

Cadley Hill Road, Swadlincote, Derbyshire, DE11 9TB, ENGLAND.

Tel: +44 (0) 1283 550850 Fax: +44 (0) 1283 550776 E-mail: sales@deegee.com www: http://www.deegee.com

Copyright © Reserved

Series W



Innovative, heavy-duty industrial hazard warning beacon incorporating squat lens with optimised crown fresnel and side magnifier fluting to maximise available light transfer for enhanced long-range visibility. May be used singly or in groups with other Series T, Series U, Series V or Series W beacons for multi-status signalling. Unique ratchet system allows individual units to be orientated in respect to each other in 10° steps when multiple devices are clamped together. Incorporates fixing holes on 120 x 120mm centres for direct surface mounting and two 20mm dia. entries (one each side) for direct conduit/gland entry and/or to facilitate linking together of multiple units. Gland, Blanking Plug, Joining Tube, Sealing O-ring and Locknuts are provided for use singly or in groups of 2 or more co-joined beacons.

Cage Guard : G5 or G8
Wall Mounting Brackets: MB14 (fixed right-angle) or MB15 (adjustable pivot)

XFW/7 Joule Xenon Strobe Beacon

- Medium energy xenon strobe beacon.
- Repetitive Single Flash (SH) models.
- Long-life xenon tube - typically > 20,000,000 flashes.
- 12Vdc, 24Vdc, 115Vac and 230Vac 7 Joule models.
- /SYNC terminals allow multiple units to be flashed in synchronisation.
- 360° All-round and 270° All-over visibility.

Supply voltage	12Vdc	24Vdc	115Vac	230Vac
Supply voltage limits			± 15%	
Supply current	500mA	360mA	130mA	65mA
Luminous intensity				
	Red		85Cd	
	Amber		250Cd	
	Green		112Cd	
	Blue		60Cd	
	Clear		425Cd	
Flash Energy			7J	
Flash Event			SH	
Flash rate adjustment			60 fpm (1Hz)	
Temperature limits			-40C, +55C	
IEC protection class			IP65	

Example Order Code: XFW/DC/24/SH/7J/Red

Revolving, Pulsed (Flashing) and Static (non-flashing) LED Beacons

- All units incorporate high density LED matrix.
- 360° 'all-round' visibility.
- No moving parts.
- Long-life LEDs (>100,000 hours typical).
- Pulsed version supports user selectable pulsed/static (flashing/non-flashing) operation by simple jumper link change.
- Static beacons can be used as a low-current slave to conventional **deegee** pulsed beacons (not LED).
- Very low current draw.

Supply voltage	12Vdc	24Vdc	115Vac	230Vac
Supply voltage limits			± 15%	
Supply current (Revolving)	25mA	25mA	25mA	25mA
Supply current (Pulsed)	70mA	35mA	10mA	10mA
Supply current (Static)	140mA	70mA	20mA	20mA
Number of LEDs				
	Red		Pulsed/Static = 30 - Revolving = 40	
	Amber		Pulsed/Static = 30 - Revolving = 40	
	Green		Pulsed/Static = 30 - Revolving = 40	
	Blue		Pulsed/Static = 18 - Revolving = 24	
	Clear		Pulsed/Static = 18 - Revolving = 24	
Luminous intensity			8Cd	
Flash/min			Pulsed = 120fpm - Revolving = 150fpm	
Temperature limits			-40C, +55C	
IEC protection class			IP65	

Example Order Code: PSW/AC/115/LED/Amber

For Installation Accessories please refer to page 73

D.G. Controls Limited

Cadley Hill Road, Swadlincote, Derbyshire, DE11 9TB, ENGLAND.

Tel: +44 (0) 1283 550850 Fax: +44 (0) 1283 550776 E-mail: sales@deegee.com www: http://www.deegee.com

Copyright © Reserved



Discharge Lamps



Static illumination or signal lights, fitted with high-intensity Discharge Lamps, designed for all applications where rugged and dustproof lighting is required. Particularly suited to general and high intensity lighting needs. Mercury Vapour (MV) and Metal Halide (MH) models have the added advantage of being available with coloured diffuser lenses at no extra charge.

Discharge lamps factory built into SBG (page 22), SBH (page 25), SBJ (page 28) and SBK (page 31) beacons meet the need for world-class industrial-strength static signal beacons. MV and MH lamped models, with Red lenses, are suited to aircraft obstruction warning (ICAO Low-Intensity Type B).

MV - Mercury Vapour

- General purpose high-intensity luminaire/static signal beacon.
- Ideal with coloured lenses, particularly Red for Aircraft Obstruction Warning.
- Control gear located in separate IP65 housing.

Supply voltage		230Vac
Supply voltage limits		± 15%
Supply current		350mA
Luminous intensity	Red	80Cd
	Amber	240Cd
	Green	140Cd
	Blue	50Cd
	Clear	320Cd
Lamp rating		80W
Temperature limits		-20C, +55C
IEC protection class	Series K, H & J	IP65
	Series G	IP68

Example Order Code: SBH/AC/230/MV/Red

SV - Sodium Vapour

- General purpose high-intensity luminaire.
- Not suitable for use with coloured lenses due to inherent orange caste of lamp.
- Control gear located in separate IP65 housing.

Supply voltage		230Vac
Supply voltage limits		± 15%
Supply current		305mA
Luminous intensity	Clear	450Cd
Lamp rating		70W
Temperature limits		-20C, +55C
IEC protection class	Series K, H & J	IP65
	Series G	IP68

Example Order Code: SBJ/AC/230/SV/Clear

MH - Metal Halide

- Very high-intensity luminaire/static signal beacon.
- Ideal with coloured lenses, particularly Red for Aircraft Obstruction Warning.
- Control gear located in separate IP65 housing.

Supply voltage		230Vac
Supply voltage limits		± 15%
Supply current		305mA
Luminous intensity	Red	100Cd
	Amber	306Cd
	Green	185Cd
	Blue	60Cd
	Clear	410Cd
Lamp rating		70W
Temperature limits		-20C, +55C
IEC protection class	Series K, H & J	IP65
	Series G	IP68

Example Order Code: SBG/AC/230/MH/Blue

For Installation Accessories please refer to page 73

D.G. Controls Limited

Cadley Hill Road, Swadlincote, Derbyshire, DE11 9TB, ENGLAND.

Tel: +44 (0) 1283 550850 Fax: +44 (0) 1283 550776 E-mail: sales@deegee.com www: http://www.deegee.com

Copyright © Reserved

Telephone Ring Initiated Beacons



Telephone Ring Initiated Flashing Beacon Lamps designed for industrial and community welfare applications where a visual indication of a ringing telephone is required. Applications also include 'Emergency Evacuation' alarm, 'Colour-Coded Personal Telephone' indication for use in factories and where high ambient noise levels persist.

Units can be supplied with or without fitted cables and glands for either plug-in or hard-wired installation.

Available as TPD/LED Light Emitting Diode (LED), TXD Xenon Strobe, TXL Xenon Strobe and TXN Xenon Strobe models.

LED telephone beacons pulse in time with ring signal. Xenon telephone beacons repetitively trigger in time with ring signal.

TPD/LED ultra-low current LED model driven entirely from incoming ring signal, eliminating the need for an external power source.

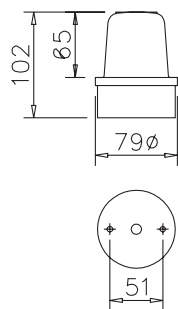
Explosionproof version of TPD/LED (TP/DEX/...) available. Please refer to pages 65 to 67 for details.

Standard Xenon Strobes shown here are designed for connection to a 230Vac power supply. Other supply voltages of Xenon Strobe are available to special order.

All units feature UV-stabilised polycarbonate lenses, available in Red, Amber, Green, Blue and Clear.

Telephone-Initiate option is available for other models on request.

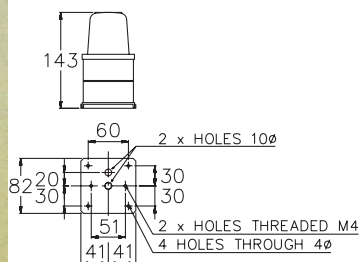
TPD/LED Light Emitting Diode (LED) - Line Powered



Supply voltage	48 - 75V _{ac}
Supply voltage limits	± 15%
Number of LEDs	
Red	30
Amber	30
Green	30
Blue	18
Clear	18
Luminous intensity	8Cd
Temperature limits	-40C, +55C
IEC protection class	IP65

Example Order Code: TPD/TR/LED/Amber

TXD Xenon Strobe



Supply voltage	230Vac
Supply voltage limits	± 15%
Supply current	30mA
Luminous intensity	
Red	8Cd
Amber	24Cd
Green	24Cd
Blue	8Cd
Clear	40Cd
Flash Energy	2.5J
Temperature limits	-40C, +55C
IEC protection class	IP65

Example Order Code: TXD/AC/230/TRO/Blue

For Installation Accessories please refer to page 73

D.G. Controls Limited

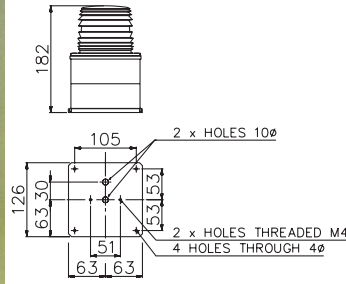
Cadley Hill Road, Swadlincote, Derbyshire, DE11 9TB, ENGLAND.

Tel: +44 (0) 1283 550850 Fax: +44 (0) 1283 550776 E-mail: sales@deegee.com www: http://www.deegee.com

Copyright © Reserved

Telephone Ring Initiated Beacons

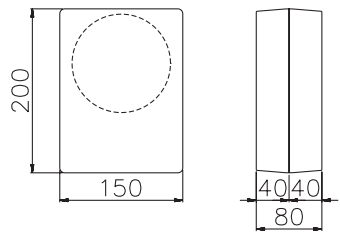
TXL Xenon Strobe



Supply voltage	230Vac
Supply voltage limits	± 15%
Supply current	80mA
Luminous intensity	Red 115Cd
	Amber 264Cd
	Green 264Cd
	Blue 88Cd
	Clear 440Cd
Flash Energy	11J
Temperature limits	-40C, +55C
IEC protection class	IP65

Example Order Code: TXL/AC/230/TRO/Amber

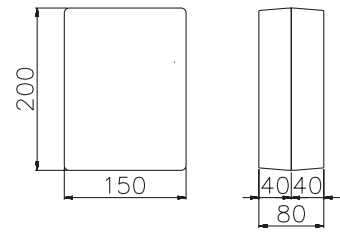
TXN Xenon Strobe



Supply voltage	230Vac
Supply voltage limits	± 15%
Supply current	30mA
Luminous intensity	Red 192Cd
	Amber 576Cd
	Green 576Cd
	Blue 192Cd
	Clear 960Cd
Flash Energy	2.5J
Temperature limits	-40C, +55C
IEC protection class	IP65

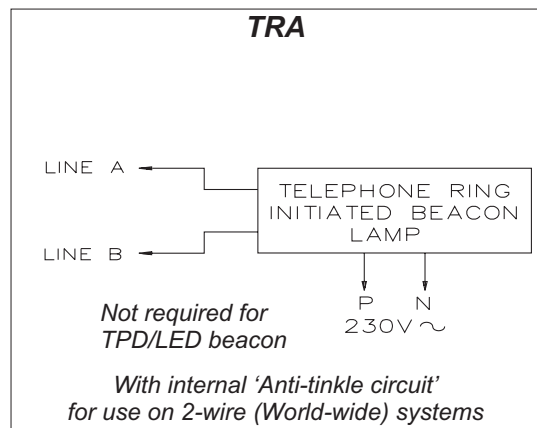
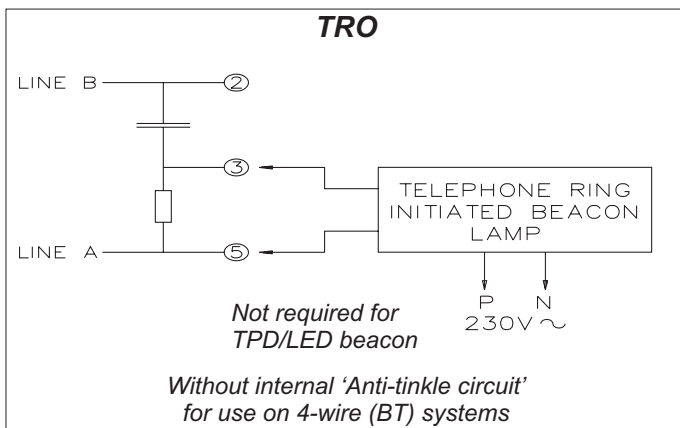
Example Order Code: TXN/AC/230/TRO/Blue

IPN/LED/008 - Telephone Ring Initiated Flashing Indicator



Supply voltage	24Vdc	115Vac	230Vac
Supply current	180mA	60mA	30mA
Supply tolerance		±15%	
Flash/min		40, 120fpm	
Luminous intensity		180Cd	
Temperature limits		-40C, +55C	
Environmental protection class		IP65	

Example Order Code: IPN/AC/230//TROLED/008/Amber



For Installation Accessories please refer to page 73

D.G. Controls Limited

Cadley Hill Road, Swadlincote, Derbyshire, DE11 9TB, ENGLAND.

Tel: +44 (0) 1283 550850 Fax: +44 (0) 1283 550776 E-mail: sales@deegee.com www: http://www.deegee.com

Copyright © Reserved

Battery Operated Beacons



Heavy-duty Portable Battery Operated Beacon Lamps for general purpose use. Combining 'L' Series beacon lamps with either nickel-metal-hydride (NMH) or sealed lead-acid (LA) batteries to create high performance rugged units.

Available in Xenon Flashing, Pulsed (flashing) Filament, Static (non-flashing) Filament, Revolving LED, Pulsed LED and Static LED models.

LED models with running times of up to 175 hours from a single charge are available.

XFL/LA, RFL/LA, PSL/LA, SBL/LA units with fold-down carrying handle and renewable skids. Skids may be replaced with dual-magnet option at extra cost.

VXL/MH and VPL/NMH units feature moulded rubber base and magnet as standard.

All units feature UV-stabilised polycarbonate lenses, available in Red, Amber, Green, Blue and Clear; incorporating side and crown fresnel lensing for enhanced visibility.

Sealed lead-acid Battery Operated Beacon Lamps and Battery Box incorporate 'charge required' indicator lamp for early low voltage status warning to help prevent deep-cycling of battery.

Order separate Plug-In-Charger unit accessory as required. A single charger unit can be used to charge a number of beacons 'one-at-a-time'.

For powering external units, a separate lead-acid Battery-Box EB/LA, fitted with standard socket, is available.

NMH version with Rubber MAG base

- Mag-mount incorporating suction-cup for temporary fixing.
- Choice of 2.5 Joule Xenon Strobe (VXL/NMH) or Pulsed LED (VPL/NMH) versions.
- VXL/NMH - 360° All-round and 270° All-over visibility.
- VPL/NMH - 360° All-round visibility.
- VPL/NMH features 50% duty cycle (equal on/off periods).
- Ideal marker highlighting vehicle assembly line rework.
- Magnetic base ideal as machine isolation warning during maintenance.

	VXL/NMH/MAG	VPL/NMH/MAG
Flash Energy	2.5J	-
Approx. usage between charges	6Hrs	40Hrs
Luminous intensity		
Red	10Cd	8Cd
Amber	30Cd	8Cd
Green	23Cd	8Cd
Blue	10Cd	8Cd
Clear	50Cd	8Cd
Flash Event	SH Only	-
Flash rate	60fpm (1Hz)	120fpm (2Hz)
Temperature limits	-20C, +55C	-40C, +55C
IEC protection class	IP54	IP54

Example Order Code: VXL/NMH/SH/2.5J/MAG/Amber

Lead-acid Xenon Strobe

- 360° All-round and 270° All-over visibility.
- 2.5 Joule, 5 Joule and 11 Joule options.
- Repetitive dual flash (DH) [11 Joule units] and single flash (SH) versions.
- Standard sealed lead-acid battery for easy user replacement.
- Uses include temporary helipad and airfield marking.

	XFL/2.5J	XFL/5J	XFL/11J
Flash Energy	2.5J	5J	11J
Approx. usage between charges	18Hrs	10Hrs	4.8Hrs
Luminous Intensity			
Red	21Cd	52Cd	115Cd
Amber	48Cd	120Cd	264Cd
Green	36Cd	90Cd	198Cd
Blue	16Cd	40Cd	88Cd
Clear	80Cd	200Cd	440Cd
Flash Event	SH Only	SH Only	DH or SH
Flash/min	60fpm (1Hz)	60fpm (1Hz)	30,45,60,90 fepm
Temperature limits		-40C, +55C	
IEC protection class		IP65	

Example Order Code: XFL/LA/DH/11J/Red

For Installation Accessories please refer to page 73

D.G. Controls Limited

Cadley Hill Road, Swadlincote, Derbyshire, DE11 9TB, ENGLAND.

Tel: +44 (0) 1283 550850 Fax: +44 (0) 1283 550776 E-mail: sales@deegee.com www: http://www.deegee.com

Copyright © Reserved

Battery Operated Beacons

Lead-acid Pulsed and Static Filament

- 360° All-round and 270° All-over visibility.
- PSL/LA Pulsed (flashing) filament lamp and SBL/LA Static (non-flashing) filament lamp options.
- Choice of 12 Watt or 21 Watt lamp.
- Solid-state circuit.
- Fold-down handle and renewable skids.
- Pulsed beacon (PSL) has 50% duty cycle (equal on/off periods).
- Standard sealed lead-acid battery for easy user replacement.
- Ideal as temporary hazard marker.

	PSL/12W	PSL/21W	SBL/12W	SBL/21W
Lamp Power	12W	21W	12W	21W
Approx. usage between charges	12Hrs	6.8Hrs	6Hrs	3.4Hrs
Luminous intensity				
Red	7Cd	12Cd	7Cd	12Cd
Amber	22Cd	36Cd	22Cd	36Cd
Green	16Cd	27Cd	16Cd	27Cd
Blue	7Cd	12Cd	7Cd	12Cd
Clear	36Cd	60Cd	36Cd	60Cd
Flash/min	40fpm (0.667Hz)			-
Temperature limits	-20C, +55C			
IEC protection class	IP65			

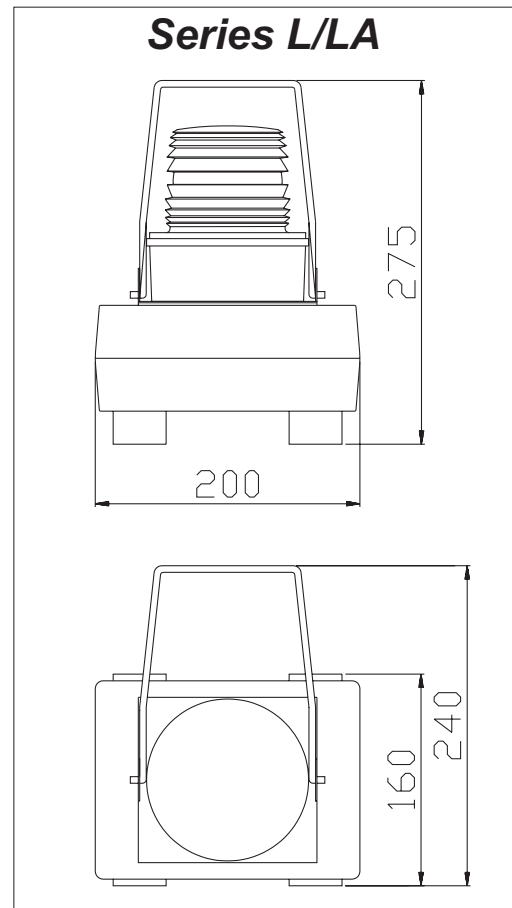
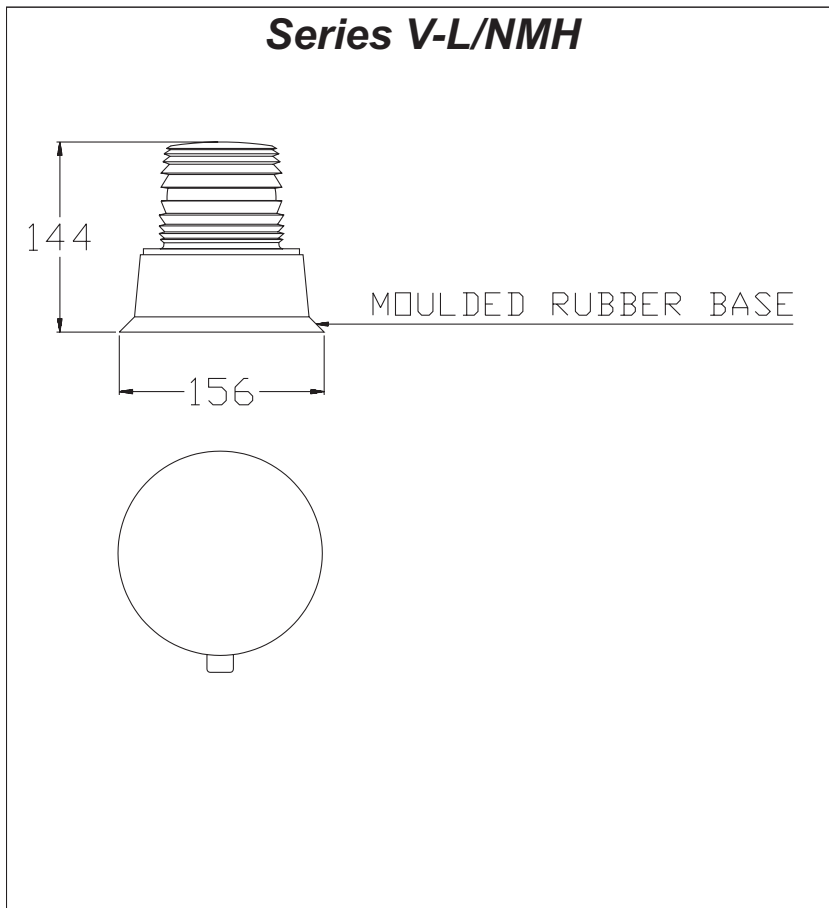
Example Order Code: PSL/LA/21W/Green

Lead-acid Revolving, Pulsed and Static LED

- 360° All-round visibility.
- RFL/LA Revolving (simulated rotating) LED, PSL/LA Pulsed (flashing) LED and SBL/LA Static (non-flashing) LED options.
 - Fold-down handle and renewable skids
- Pulsed beacon (PSL/LA) has 50% duty cycle (equal on/off periods).
- Standard sealed lead acid battery for easy user replacement.
- Low current-draw allows long usage times between re-charges.

	RFL/LED	PSL/LED	SBL/LED
Approx. usage between charges	175Hrs	90Hrs	45Hrs
Number of LEDs			
Red	40	30	30
Amber	40	30	30
Green	40	30	30
Blue	24	18	18
Clear	24	18	18
Flash/min	150fpm (2.5Hz)	120Fpm (2Hz)	-
Luminous Intensity		8Cd	
Temperature limits		-40C, +55C	
IEC protection class		IP65	

Example Order Code: RFL/LA/LED/Red



For Installation Accessories please refer to page 73

D.G. Controls Limited

Cadley Hill Road, Swadlincote, Derbyshire, DE11 9TB, ENGLAND.

Tel: +44 (0) 1283 550850 Fax: +44 (0) 1283 550776 E-mail: sales@deegee.com www: http://www.deegee.com

Copyright © Reserved

Multihead Indicators



Advanced range of Multihead Indicator units ideally suited to a wide variety of applications such as Loading-Bay Signalling, Shutter Door Status, On-Site Traffic Management, Dockside Signalling and Factory Control.

Standard colour combinations of Red/Green and Red/Amber/Green are shown here. However, all units may be specified with any combination of lens colours from a choice of Red, Amber, Green, Blue and Clear. Colour-sequence, top to bottom, must be specified at time of ordering.

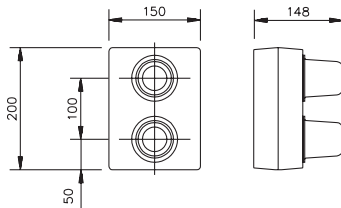
Models MIH are fitted with individual dome hoods to reduce interference by ambient or external light sources. Hoods are supplied configured for traditional vertical mode (one above the other) and are user-configurable for horizontal mode (side by side viewing).

Model MI/1520/2D is suitable for 360° All-around and 270° All-over viewing.

Note:

- 115V AC and 230V AC halogen lamp variants are fitted with a single 55VA transformer (powering maximum two TH20/TH20D lamps or one TH55/TH50D lamp). Extra inbuilt 55VA transformers available to order. Specify +1T for one additional transformer or +2T for two additional transformers.

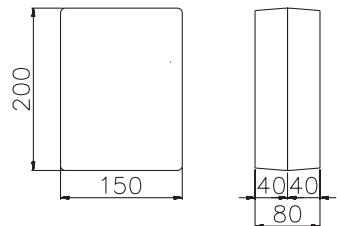
MI/1520/2D



Supply voltage	12V	24V	115V	230V
Supply voltage limits	± 15%			
Supply current: B15D	1A uc	500mA uc	130mA uc	65mA uc
TH20	1.68A uc	840mA uc	175mA ac	88mA ac
Lamp rating B15D	12W		15W	
TH20	20W			
Intensity: B15D	3Cd/5Cd		4Cd/7Cd	
(Red/Green) TH20	7Cd/13Cd			
Environmental limits	-20C, +55C. IP65			

Example Order Code: MI/1520/2D/UC/115/B15D/Red/Amber

IPN/LED/002 - "Traffic Light"



Supply voltage		24Vdc	115Vac	230Vac
Supply current	Red	250mA	60mA	30mA
	Green	250mA	60mA	30mA
Supply tolerance		±15%		
Luminous intensity	Red	180Cd		
	Green	180Cd		
Temperature limits		-40C, +55C		
Environmental protection class		IP65		

Example Order Code: IPN/AC/230/LED/002/Red/Green

For Installation Accessories please refer to page 73

D.G. Controls Limited

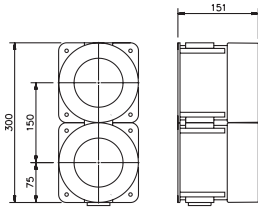
Cadley Hill Road, Swadlincote, Derbyshire, DE11 9TB, ENGLAND.

Tel: +44 (0) 1283 550850 Fax: +44 (0) 1283 550776 E-mail: sales@deegee.com www: http://www.deegee.com

Copyright © Reserved

Multihead Indicators

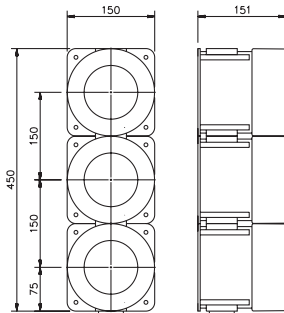
MIH/2U



Supply voltage	12V	24V	115V	230V
Supply voltage limits	± 15%			
Supply current: B15D	1.75A uc	875mA uc	130mA uc	110mA uc
LED	n/a	200mA uc	50mA ac	25mA ac
Lamp rating B15D	21W		15W	25W
LED	n/a	4.8W	6W	6W
Intensity: B15D	188Cd/117Cd		17Cd/7Cd	44Cd/23Cd
(Red/Green) LED	n/a	11Cd/8Cd	11Cd/8Cd	11Cd/8Cd
Environmental limits	-20C, +55C (LED -40C). IP65			

Example Order Code: MIH/2U/UC/24/B15D/Red/Green

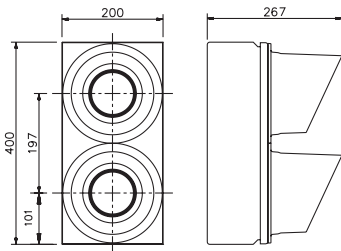
MIH/3U



Supply voltage	12V	24V	115V	230V
Supply voltage limits	± 15%			
Supply current: B15D	1.75A uc	875mA uc	130mA uc	110mA uc
LED	n/a	200mA uc	50mA ac	25mA ac
Lamp rating B15D	21W		15W	25W
LED	n/a	4.8W	6W	6W
Intensity: B15D	188/356/117Cd		17/27/7Cd	44/72/23Cd
(R/A/G) LED	n/a	11/20/8Cd	11/20/8Cd	11/20/8Cd
Environmental limits	-20C, +55C (LED -40C). IP65			

Example Order Code: MIH/3U/AC/230/LED/Red/Amber/Green

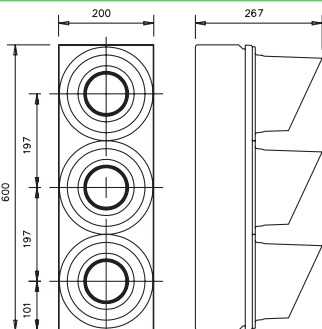
MIH/2040/2L



Supply voltage	12V	24V	115V	230V
Supply voltage limits	± 15%			
Supply current: B15D	1.75A uc	875mA uc	130mA uc	110mA uc
TH20D	1.68A uc	n/a	175mA ac	88mA ac
LED	180mA dc	90mA dc	25mA ac	25mA ac
Lamp rating B15D	21W		15W	25W
TH20D			20W	
LED	2.6W		3W	6W
Intensity: B15D	19Cd/34Cd		11Cd/20Cd	19Cd/34Cd
(Red/Green) TH20D			102Cd/184Cd	
LED			40Cd/20Cd	
Environmental limits	-20C, +55C (LED -40C). IP65			

Example Order Code: MIH/2040/2L/UC/115/B15D/Red/Green

MIH/2060/3L



Supply voltage	12V	24V	115V	230V
Supply voltage limits	± 15%			
Supply current: B15D	1.75A uc	875mA uc	130mA uc	110mA uc
TH20D	1.68A uc	n/a	175mA ac	88mA ac
LED	180mA dc	90mA dc	25mA ac	25mA ac
Lamp rating B15D	21W		15W	25W
TH20D			20W	
LED			n/a	
Intensity: B15D	19Cd/5/6Cd/34Cd		11Cd/34Cd/20Cd	19Cd/56Cd/34Cd
(R/A/G) TH20D			102Cd/307Cd/184Cd	
LED			40Cd/40Cd/20Cd	
Environmental limits	-20C, +55C (LED -40C). IP65			

Example Order Code: MIH/2060/3L/DC/24/LED/Red/Amber/Green

For Installation Accessories please refer to page 73

D.G. Controls Limited

Cadley Hill Road, Swadlincote, Derbyshire, DE11 9TB, ENGLAND.

Tel: +44 (0) 1283 550850 Fax: +44 (0) 1283 550776 E-mail: sales@deege.com www: http://www.deege.com

Copyright © Reserved

Duplex (Wig-wag) Beacons



Our Bi-stable Duplex Flashing Beacons generate their warning signal either from the controlled alternate discharge of two Xenon Gas filled tubes or alternately flashing coloured LEDs by a continuously rated solid-state exciter. By selecting a different colour for each, a distinctive visual hazard warning is achieved of very high powered intensity.

All flash-head units feature UV-stabilised polycarbonate lenses, available in Red, Amber, Green, Blue and Clear; side and crown fresnel lensing being a feature of 'L' models for long-range and concentrated high luminous intensities.

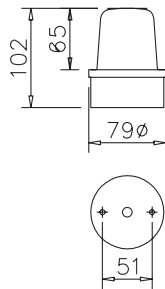
Repetitive Dual-flash (DH) - two flashes per channel ("11 22 11 22") and Single-flash (SH) - one flash per channel ("1 2 1 2") models.

Light Emitting Diode (LED) model features a clear lens and coloured LEDs, for example alternate flashing Blue/Red or Red/White.

Most models available with fitted magnets for temporary fixing.

As an alternative to the all-in-one units shown, separate exciter units and remote flash-heads can be specified. Exciter units; DX/EC - exciter card only and DX/1520/O/ - exciter card housed in our UV-stabilised Eurobox IP65 housing.

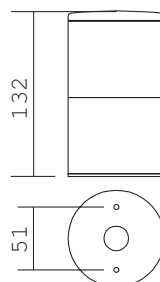
DX/1D/LED



Supply voltage	24Vuc	115Vac	230Vac
Supply voltage limits		± 15%	
Supply current:	21mA	12mA	6mA
Intensity:		13Cd	
Flash/min		60 / 90 / 120 fepm	
Temperature limits		-40C, +55C	
IEC protection class		IP65	

Example Order Code: DX/1D/AC/230/LED/Red/Clear

DX/XTA



Supply voltage	12Vuc	24Vuc	115Vac	230Vac
Supply voltage limits			± 15%	
Supply current:	330mA	170mA	60mA	30mA
Intensity:	Red		8Cd	
	Amber		24Cd	
	Green		24Cd	
	Blue		8Cd	
	Clear		40Cd	
Flash/min			60 fepm	
Temperature limits			-40C, +55C	
IEC protection class			IP65	

Example Order Code: DX/XTA/DC/24/SH/2.5J/Red/Clear

For Installation Accessories please refer to page 73

D.G. Controls Limited

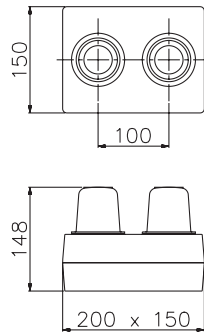
Cadley Hill Road, Swadlincote, Derbyshire, DE11 9TB, ENGLAND.

Tel: +44 (0) 1283 550850 Fax: +44 (0) 1283 550776 E-mail: sales@deegee.com www: <http://www.deegee.com>

Copyright © Reserved

Duplex (Wig-wag) Beacons

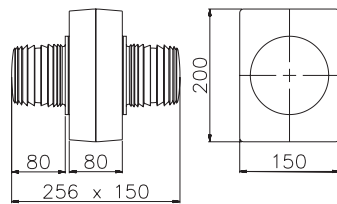
DX/1520/2D



Supply voltage	12Vuc	24Vuc	115Vac	230Vac
Supply voltage limits	± 15%			
Supply current:	5J	300mA	75mA	40mA
	11J	680mA	160mA	80mA
	16J	920mA	230mA	115mA
Intensity:	5J	20Cd(R), 60Cd(A), 60Cd(G), 20Cd(B), 100Cd(C)		
(R, A, G, B, C)	11J	44Cd(R), 132Cd(A), 132Cd(G), 44Cd(B), 220Cd(C)		
	16J	64Cd(R), 192Cd(A), 192Cd(G), 64Cd(B), 320Cd(C)		
Flash/min	30, 45, 60, 90 fepm			
Temperature limits	-40C, +55C			
IEC protection class	IP65			

Example Order Code: **DX/1520/2D/UC/24/SH/11J/Red/Clear**

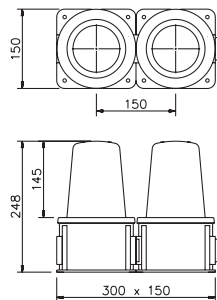
DX/1520/2L



Supply voltage	12Vuc	24Vuc	115Vac	230Vac
Supply voltage limits	± 15%			
Supply current:	5J	300mA	75mA	40mA
	11J	680mA	160mA	80mA
	16J	920mA	230mA	115mA
Intensity:	5J	40Cd(R), 120Cd(A), 120Cd(G), 40Cd(B), 200Cd(C)		
(R, A, G, B, C)	11J	88Cd(R), 264Cd(A), 264Cd(G), 88Cd(B), 440Cd(C)		
	16J	128Cd(R), 384Cd(A), 384Cd(G), 128Cd(B), 640Cd(C)		
Flash/min	30, 45, 60, 90 fepm			
Temperature limits	-40C, +55C			
IEC protection class	IP65			

Typical Order Code: **DX/1520/2L/AC/230/SH/5J/Red/Clear**

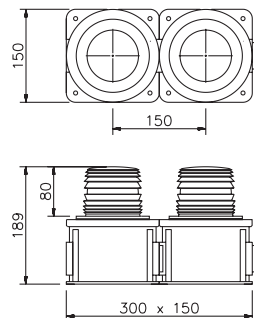
DX/2T



Supply voltage	12Vuc	24Vuc	115Vac	230Vac
Supply voltage limits	± 15%			
Supply current:	5J	300mA	75mA	40mA
	11J	680mA	160mA	80mA
	16J	920mA	230mA	115mA
Intensity:	5J	20Cd(R), 60Cd(A), 60Cd(G), 20Cd(B), 100Cd(C)		
(R, A, G, B, C)	11J	44Cd(R), 132Cd(A), 132Cd(G), 44Cd(B), 220Cd(C)		
	16J	64Cd(R), 192Cd(A), 192Cd(G), 64Cd(B), 320Cd(C)		
Flash/min	30, 45, 60, 90 fepm			
Temperature limits	-40C, +55C			
IEC protection class	IP65			

Example Order Code: **DX/2T/UC/24/SH/11J/Red/Clear**

DX/2V



Supply voltage	12Vuc	24Vuc	115Vac	230Vac
Supply voltage limits	± 15%			
Supply current:	5J	300mA	75mA	40mA
	11J	680mA	160mA	80mA
	16J	920mA	230mA	115mA
Intensity:	5J	40Cd(R), 120Cd(A), 120Cd(G), 40Cd(B), 200Cd(C)		
(R, A, G, B, C)	11J	88Cd(R), 264Cd(A), 264Cd(G), 88Cd(B), 440Cd(C)		
	16J	128Cd(R), 384Cd(A), 384Cd(G), 128Cd(B), 640Cd(C)		
Flash/min	30, 45, 60, 90 fepm			
Temperature limits	-40C, +55C			
IEC protection class	IP65			

Example Order Code: **DX/2V/AC/230/SH/11J/Red/Clear**

For Installation Accessories please refer to page 73

D.G. Controls Limited

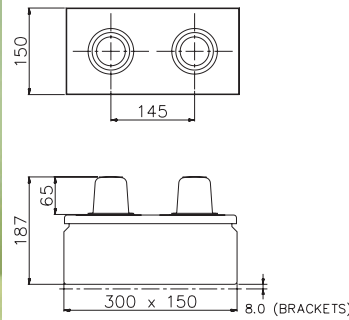
Cadley Hill Road, Swadlincote, Derbyshire, DE11 9TB, ENGLAND.

Tel: +44 (0) 1283 550850 Fax: +44 (0) 1283 550776 E-mail: sales@deegee.com www: <http://www.deegee.com>

Copyright © Reserved

Duplex (Wig-wag) Beacons

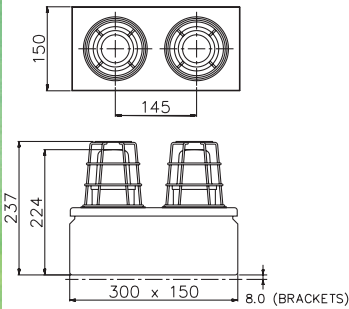
DX/1530/2D



Supply voltage	12Vuc	24Vuc	115Vac	230Vac	
Supply voltage limits	± 15%				
Supply current:	5J	590mA	300mA	75mA	40mA
	11J	1.36A	680mA	160mA	80mA
	16J	1.84A	920mA	230mA	115mA
Intensity:	5J	20Cd(R), 60Cd(A), 60Cd(G), 20Cd(B), 100Cd(C)			
(R, A, G, B, C)	11J	44Cd(R), 132Cd(A), 132Cd(G), 44Cd(B), 220Cd(C)			
	16J	64Cd(R), 192Cd(A), 192Cd(G), 64Cd(B), 320Cd(C)			
Flash/min	30, 45, 60, 90 fepm				
Temperature limits	-40C, +55C				
IEC protection class	IP65				

Typical Order Code: **DX/1530/2D/AC/230/DH/5J/Red/Clear**

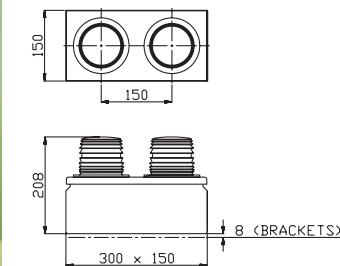
DXG/1530/2D



Supply voltage	12Vuc	24Vuc	115Vac	230Vac	
Supply voltage limits	± 15%				
Supply current:	5J	590mA	300mA	75mA	40mA
	11J	1.36A	680mA	160mA	80mA
	16J	1.84A	920mA	230mA	115mA
Intensity:	5J	20Cd(R), 60Cd(A), 60Cd(G), 20Cd(B), 100Cd(C)			
(R, A, G, B, C)	11J	44Cd(R), 132Cd(A), 132Cd(G), 44Cd(B), 220Cd(C)			
	16J	64Cd(R), 192Cd(A), 192Cd(G), 64Cd(B), 320Cd(C)			
Flash/min	30, 45, 60, 90 fepm				
Temperature limits	-40C, +55C				
IEC protection class	IP65				

Example Order Code: **DXG/1530/2D/UC/12/DH/16J/Red/Clear**

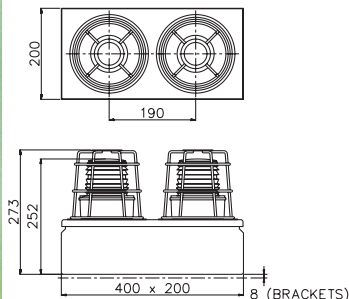
DX/1530/2L



Supply voltage	12Vuc	24Vuc	115Vac	230Vac	
Supply voltage limits	± 15%				
Supply current:	5J	590mA	300mA	75mA	40mA
	11J	1.36A	680mA	160mA	80mA
	16J	1.84A	920mA	230mA	115mA
Intensity:	5J	40Cd(R), 120Cd(A), 120Cd(G), 40Cd(B), 200Cd(C)			
(R, A, G, B, C)	11J	88Cd(R), 264Cd(A), 264Cd(G), 88Cd(B), 440Cd(C)			
	16J	128Cd(R), 384Cd(A), 384Cd(G), 128Cd(B), 640Cd(C)			
Flash/min	30, 45, 60, 90 fepm				
Temperature limits	-40C, +55C				
IEC protection class	IP65				

Example Order Code: **DX/1530/2L/UC/24/SH/11J/Red/Clear**

DXG/2040/2L



Supply voltage	12Vuc	24Vuc	115Vac	230Vac	
Supply voltage limits	± 15%				
Supply current:	5J	590mA	300mA	75mA	40mA
	11J	1.36A	680mA	160mA	80mA
	16J	1.84A	920mA	230mA	115mA
Intensity:	5J	40Cd(R), 120Cd(A), 120Cd(G), 40Cd(B), 200Cd(C)			
(R, A, G, B, C)	11J	88Cd(R), 264Cd(A), 264Cd(G), 88Cd(B), 440Cd(C)			
	16J	128Cd(R), 384Cd(A), 384Cd(G), 128Cd(B), 640Cd(C)			
Flash/min	30, 45, 60, 90 fepm				
Temperature limits	-40C, +55C				
IEC protection class	IP65				

Example Order Code: **DXG/2040/2L/AC/115/SH/16J/Red/Clear**

For Installation Accessories please refer to page 73

D.G. Controls Limited

Cadley Hill Road, Swadlincote, Derbyshire, DE11 9TB, ENGLAND.

Tel: +44 (0) 1283 550850 Fax: +44 (0) 1283 550776 E-mail: sales@deegee.com www: <http://www.deegee.com>

Copyright © Reserved

Vehicle Beacons



Whilst our industrial models can be mounted for use as vehicle beacons, this range is specifically engineered with vehicles in mind. All models include moulded rubber base and fitted cable to allow mounting without dis-assembly. Available as Rotating Flashing, Xenon Flashing or Pulsed Filament types.

Available in the standard voltages of 12V DC, 24V DC, 12V UC and 24V UC. (n.b. UC = AC and DC).

Especially suited to electric traction vehicles such as fork trucks, our voltage ranging (VRA) Xenon Strobe models cater for any battery voltage between 12Vdc and 100Vdc.

All models optionally available for use on a 115Vac or 230Vac supply. Contact your sales point for pricing.

All units feature UV-stabilised polycarbonate lenses, available in Red, Amber, Green, Blue and Clear; some incorporating side and crown fresnel lensing.

Standard models fitted with mounting studs for permanent fixing, complete with 300mm connecting leads incorporating standard 'Bullet' style connectors.

Also available with fitted magnet ('MAG') and curl cable with integral cigar lighter plug for temporary fixing. Magnetic ('MAG') fixing units incorporate supplementary integral suction cup which gives increased adhesion.

Mounting brackets and metal cage guards available. Please refer to 'Installation Accessories' on page 73.

VXD/2.5 Joule Xenon Strobe and VPD/B15D Pulsed Filament Lamp

- Small, low-cost, vehicle beacon.
- Low current draw for better vehicle battery life when engine idle.
- Ideal for pedestrian operated equipment such as road/pavement sweepers and pallet stackers.
- Repetitive single flash models.
- 360° All-round and 270° All-over visibility.
- VPD/B15D features 50% duty cycle (equal on/off periods).

	VXD		VPD	
Supply voltage	12Vuc	24Vuc	12Vdc	24Vdc
Supply voltage limits	± 15%		± 15%	
Supply current:	330mA	170mA	1A	500mA
Intensity:				
Red	8Cd		3Cd	
Amber	24Cd		9Cd	
Green	24Cd		5Cd	
Blue	8Cd		2Cd	
Clear	40Cd		12Cd	
Rating	2.5J		12W	
Flash/min	60fpm (1Hz)		40fpm (0.667Hz)	
Temperature limits	-40C, +55C.		-20C, +55C.	
IEC Protection Class	IP65		IP65	

Example Order Code: VXD/DC/12/SH/2.5J/Amber

VXL/2.5 Joule, VXL/5 Joule and VXL/11 Joule Xenon Strobe

- Medium-format vehicle beacon with choice of energy levels to suit individual applications.
- Special 5 Joule Automatic Voltage Ranging unit (VRA) for use with 12 to 100Vdc or 12 to 72Vac supply. (MAG version limited to 30 Volts maximum.)
- 2.5 Joule and 5 Joule models feature repetitive single-flash (SH) only.
- 11 Joule models feature choice of repetitive dual flash (DH) and single-flash (SH) devices.
- 360° All-round and 270° All-over visibility.
- Also ideal for emergency service motorcycle use.

	VXL/2.5J		VXL/11J		VXL/VRA
Supply voltage	12Vdc	24Vdc	12Vuc	24Vuc	VRA
Supply voltage limits	± 15%				n/a
Supply current	330mA	170mA	1.36A	680mA	7W
Luminous intensity:					
Red	21Cd		114Cd		26Cd
Amber	48Cd		132Cd		60Cd
Green	48Cd		132Cd		60Cd
Blue	16Cd		44Cd		20Cd
Clear	80Cd		220Cd		100Cd
Flash Energy	2.5J		11J		5J
Flash Event	SH Only		DH or SH		SH Only
Flash rate adjustment	60fpm (1Hz)		30,45,60,90 fepm		
Environmental limits	-40C, +55C. IP65				

Example Order Code: VXL/UC/24/DH/11J/Amber

For Installation Accessories please refer to page 73

D.G. Controls Limited

Cadley Hill Road, Swadlincote, Derbyshire, DE11 9TB, ENGLAND.

Tel: +44 (0) 1283 550850 Fax: +44 (0) 1283 550776 E-mail: sales@deegee.com www: http://www.deegee.com

Copyright © Reserved

Vehicle Beacons

VRL/TH20 Rotating and VPL/B15D Pulsed Filament Lamp

- Rotating mirror beacon (VRL) with good light output, featuring 360° All-round visibility.
- Pulsed filament beacon (VPL) for 360° All-round and 270° All-over visibility.
- Pulsed vehicle beacon features 50% duty cycle (equal on/off periods).
- Pulsed vehicle beacons are ideal for airport vehicle use.

	VRL/TH20		VPL/B15D	
Supply voltage	12Vdc	24Vdc	12Vdc	24Vdc
Supply voltage limits	± 15%		± 15%	
Supply current	1.7A	850mA	1.75A	875mA
Luminous intensity	Red	20Cd		12Cd
	Amber	60Cd		36Cd
	Green	60Cd		36Cd
	Blue	20Cd		12Cd
	Clear	100Cd		60Cd
Flash/min	240fpm (4Hz)		40fpm (0.667Hz)	
Temperature limits	-20C, +55C		-20C, +55C	
IEC protection class	IP65		IP65	

Example Order Code: VRL/DC/12/TH20/MAG/Amber

VXK/11 Joule and VXK/24 Joule Xenon Strobe

- High-energy, high-brilliance Xenon Strobe Beacons.
- Standard 11 Joule as well as ultra-high energy 24 Joule models
- Repetitive Dual Flash (DH) and Single Flash (SH) models.
- Long-life xenon tube - typically > 20,000,000 flashes.
- 360° All-round and 270° All-over visibility.
- Ideal for emergency service cars and large vehicles.

	VXK/11J		VXK/24J	
Supply voltage	12Vuc	24Vuc	12Vuc	24Vuc
Supply voltage limits	± 15%		± 15%	
Supply current	1.36A	680mA	3.1A	1.55A
Luminous intensity	Red	106Cd		230Cd
	Amber	264Cd		576Cd
	Green	264Cd		576Cd
	Blue	88Cd		192Cd
	Clear	440Cd		960Cd
Flash energy	11J		24J	
Flash rate adjustment	30,45,60,90 fepm		30,45,60,90 fepm	
Temperature limits	-40C, +55C		-40C, +55C	
IEC protection class	IP65		IP65	

Example Order Code: VXK/UC/24/DH/24J/MAG/Amber

VRK/TH Rotating and VPK Pulsed Halogen Lamp

- Large-format high-intensity Rotating and Pulsed vehicle beacons.
- Rotating mirror beacon (VRK) features 360° All-round visibility.
- Pulsed filament beacon (VPK) for 360° All-round and 270° All-over visibility.
- Pulsed vehicle beacon features 50% duty cycle (equal on/off periods).
- Ideal for emergency service cars and large vehicles.

	VRK/TH		VPK/TH	
Supply voltage	12Vdc	24Vdc	12Vdc	24Vdc
Supply voltage limits	± 15%		± 15%	
Supply current	4.75A	3A	4.6A	2.95A
Luminous intensity	Red	124Cd	158Cd	20Cd
	Amber	370Cd	472Cd	28Cd
	Green	222Cd	283Cd	60Cd
	Blue	74Cd	95Cd	84Cd
	Clear	494Cd	630Cd	60Cd
Lamp rating	55W	70W	100Cd	28Cd
Flash/min	180fpm (3Hz)		55W	140Cd
Temperature limits	-20C, +55C		70W	
IEC protection class	IP65		40fpm (0.677Hz)	
			-20C, +55C	
			IP65	

Example Order Code: VRK/DC/12/TH55/Amber

VXR/2.5 Joule and VXR/7 Joule Xenon Strobe

- Low profile xenon strobe beacons.
- Choice of 2.5 Joule and 7 Joule energy levels
- 360° All-round and 270° All-over visibility.

	VXR/2.5J		VXR/7J	
Supply voltage	12Vdc	24Vdc	12Vdc	24Vdc
Supply voltage limits	± 15%		± 15%	
Supply current	330mA	170mA	500mA	360mA
Luminous intensity	Red	30Cd		85Cd
	Amber	89Cd		250Cd
	Green	40Cd		112Cd
	Blue	21Cd		60Cd
	Clear	152Cd		425Cd
Flash energy	2.5J		7J	
Flash/min	60 fpm (1Hz)		60 fpm (1Hz)	
Temperature limits	-40C, +55C		-40C, +55C	
IEC protection class	IP65		IP65	

Example Order Code: VXR/DC/12/SH/2.5J/Amber

For Installation Accessories please refer to page 73

D.G. Controls Limited

Cadley Hill Road, Swadlincote, Derbyshire, DE11 9TB, ENGLAND.

Tel: +44 (0) 1283 550850 Fax: +44 (0) 1283 550776 E-mail: sales@deege.com www: http://www.deege.com

Copyright © Reserved

Vehicle Beacons

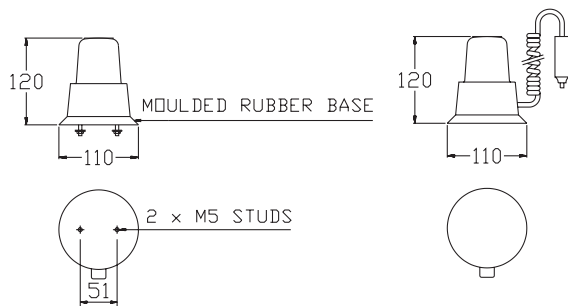
VPR/B15D Pulsed Filament and VPR/LED Pulsed LED

- Low-profile Pulsed Filament and Pulsed LED vehicle beacons.
- Well suited to airport vehicle usage.
- Low-current LED option.
- Long-life LEDs (>100,000 hours typical).
- 50% duty cycle (equal on/off periods).
- Ideal for pavement sweeping machinery and invalid scooters.

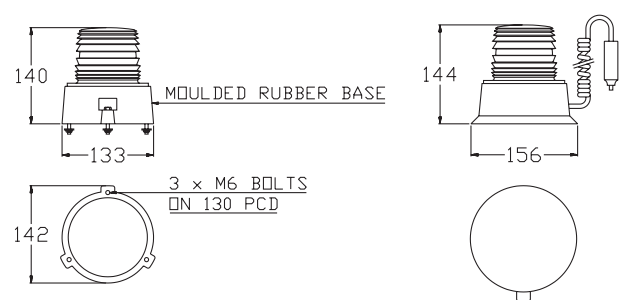
	VPR/B15D		VPR/LED	
Supply voltage	12Vdc	24Vdc	12Vdc	24Vdc
Supply voltage limits	± 15%		± 15%	
Supply current	1.75A	875mA	70mA	35mA
Luminous intensity				
Red		40Cd		8Cd
Amber		118Cd		8Cd
Green		52Cd		8Cd
Blue		28Cd		8Cd
Clear		200Cd		8Cd
Flash/min	40fpm (0.667Hz)		120fpm (2Hz)	
Temperature limits	-20C, +55C		-40C, +55C	
IEC protection class	IP65		IP65	

Example Order Code: VPR/DC/12/LED/Amber

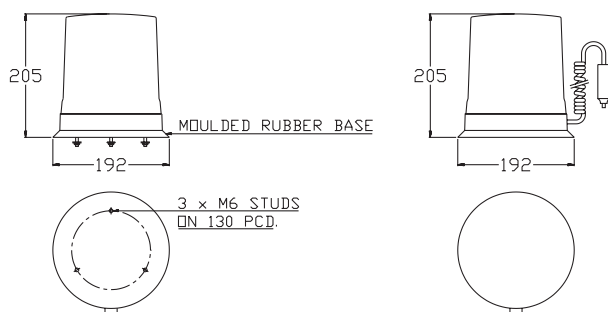
Series V-D



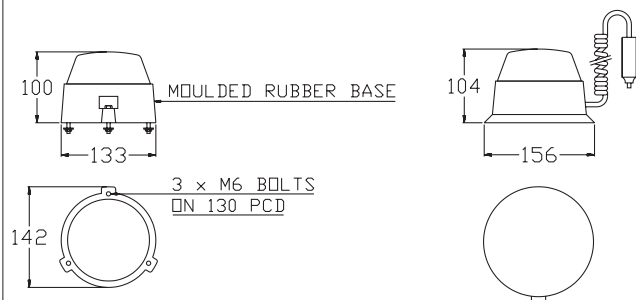
Series V-L



Series V-K



Series V-R



For Installation Accessories please refer to page 73

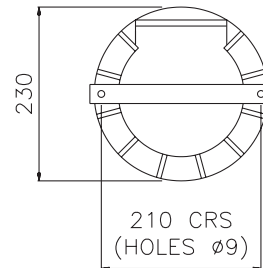
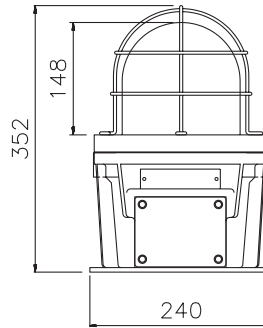
D.G. Controls Limited

Cadley Hill Road, Swadlincote, Derbyshire, DE11 9TB, ENGLAND.

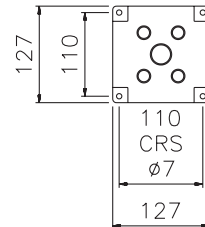
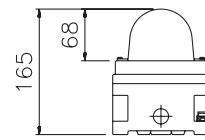
Tel: +44 (0) 1283 550850 Fax: +44 (0) 1283 550776 E-mail: sales@deegee.com www: http://www.deegee.com

Copyright © Reserved

Explosionproof Beacons



610EX Housing



DEX Housing

Explosionproof beacon lamps suitable for use in Zone 1 and Zone 2 hazardous areas. Large-format 610EX beacon features white EPC coated LM25 aluminium and wire guard, whilst the DEX housing features hot dipped galvanised cast iron with white EPC coating. A steel wire guard is optional for the DEX housing. Alternative EPC coating colours can be accommodated to suit specific applications.

The full range of beacon interiors is available from simple static filament through to low-current LED and high-energy xenon strobe models.

Two threaded M20 entries are provided as standard; others can be supplied to special order.

RF/610EX/TH Rotating Mirror Beacon

- Unique 'quiet-drive' system incorporating direct motor/turntable coupling and long life ball-race bearing. Eliminates nuisance of drive belt breakage and reduces drive-train noise.
- All models feature 120mm reflector and tungsten halogen lamp.
- 115Vac and 230Vac models employ a transformer to supply power to the low-voltage 55W halogen lamp.
- 360° All-round visibility.

Supply voltage	12Vdc	24Vdc	115Vac	230Vac
Supply voltage limits			± 15%	
Supply current	4.75A	3A	500mA	250mA
Luminous intensity				
Red	123Cd	157Cd	123Cd	123Cd
Amber	370Cd	472Cd	370Cd	371Cd
Green	222Cd	283Cd	222Cd	222Cd
Blue	74Cd	94Cd	74Cd	74Cd
Clear	494Cd	630Cd	494Cd	494Cd
Lamp rating	55W	70W	55W	55W
Reflector		120mm, ±8°		
Flash/min		180fpm (3Hz)		
Temperature limits		-20C, +55C		
IEC protection class		IP66		
SIRA Certification		Ex II 2G EExdeIICT4 (EN50-014,018&019) Cert. No. 00ATEX1048		

Example Order Code: RF/610EX/AC/115/TH55/Red

XF/610EX/11 Joule Xenon Strobe Beacon

- High energy xenon strobe beacon.
- Repetitive Dual Flash (DH) and Single Flash (SH) models.
- Long-life xenon tube - typically > 20,000,000 flashes.
- 12Vuc, 24Vuc, 115Vac and 230Vac 11 Joule models.
- /SYNC terminals to allow multiple units to be flashed in synchronisation.
- 360° All-round and 270° All-over visibility.

Supply voltage	12Vuc	24Vuc	115Vac	230Vac
Supply voltage limits			± 15%	
Supply current	1.36A	680mA	160mA	80mA
Luminous intensity				
Red		106Cd		
Amber		264Cd		
Green		264Cd		
Blue		88Cd		
Clear		440Cd		
Flash Energy		11J		
Flash Event		DH or SH		
Flash rate adjustment		30,45,60,90 fepm		
Temperature limits		-40C, +55C		
IEC protection class		IP66		
SIRA Certification		Ex II 2G EExdeIICT4 (EN50-014,018&019) Cert. No. 00ATEX1048		

Example Order Code: XF/610EX/AC/115/DH/11J/Blue

For Installation Accessories please refer to page 73

D.G. Controls Limited

Cadley Hill Road, Swadlincote, Derbyshire, DE11 9TB, ENGLAND.

Tel: +44 (0) 1283 550850 Fax: +44 (0) 1283 550776 E-mail: sales@deege.com www: http://www.deege.com

Copyright © Reserved

Explosionproof Beacons

XF/DEX/2.5 Joule Xenon Strobe Beacon

- Low-energy, high-intensity xenon strobe beacon.
- Repetitive Single Flash (SH) model.
- Long-life xenon tube - typically > 20,000,000 flashes.
- 12Vdc, 24Vdc, 115Vac and 230Vac 2.5 Joule versions.
- 360° All-round and 270° All-over visibility.
- DC to AC converter (UC-RECT) module available.

Supply voltage	12Vdc	24Vdc	115Vac	230Vac
Supply voltage limits			± 15%	
Supply current	360mA	180mA	120mA	60mA
Luminous intensity	Red		8Cd	
	Amber		24Cd	
	Green		24Cd	
	Blue		8Cd	
	Clear		40Cd	
Flash Energy			2.5J	
Flash Event			SH Only	
Flash rate adjustment			60 fpm (1Hz)	
Temperature limits			-40C, +55C	
IEC protection class			IP66	
BASEEFA Certification	Ex II 2 GD	EExdIIBT85C (EN50-014,018,281-1-1)	to +40C	
Cert. No.03ATEX0653	Ex II 2 GD	EExdIIBT100C (EN50-014,018,281-1-1)	to +50C	

Example Order Code: XF/DEX/DC/12/SH/2.5J/Red

PS/DEX/B15D Pulsed (Flashing) Beacon

- Solid-state operation.
- 12Vdc, 24Vdc, 115Vac and 230Vac versions.
- 24Vac available to order - see 24Vdc models for specification, but order as PS/DEX/AC/24/B15D/*.
- 50% duty cycle (equal on/off periods).
- 360° All-round and 270° All-over visibility.

Supply voltage	12Vdc	24Vdc	115Vac	230Vac
Supply voltage limits			± 15%	
Supply current	1A	500mA	130mA	65mA
Luminous intensity	Red	3Cd		4Cd
	Amber	9Cd		11Cd
	Green	6Cd		7Cd
	Blue	2Cd		2Cd
	Clear	12Cd		15Cd
Lamp rating		12W		15W
Flash/min			40fpm (0.667Hz)	
Temperature limits			-20C, +55C	
IEC protection class			IP66	
BASEEFA Certification	Ex II 2 GD	EExdIIBT200C (EN50-014,018,281-1-1)	to +40C	
Cert. No.04ATEX0195				

Example Order Code: PS/DEX/AC/230/B15D/Amber

SB/DEX/B15D Static (Non-flashing) Beacon

- Continuously rated indicator lamps.
- Ideal slave unit to conventional or explosionproof **deegree** pulsed beacons (not LED).
- Available in the standard voltages of 12V, 24V, 50V, 115V and 230V. AC or DC operation (bulb supplied).
- Also available without fitted bulb (voltage designation 'O').
- 360° All-round and 270° All-over visibility.

Supply voltage	12Vdc	24Vdc	50Vdc	115Vdc	230Vdc
Supply voltage limits			± 15%		
Supply current	1A	500mA	300mA	130mA	65mA
Luminous intensity	Red	3Cd	4Cd		4Cd
	Amber	9Cd	11Cd		11Cd
	Green	6Cd	7Cd		7Cd
	Blue	2Cd	2Cd		2Cd
	Clear	12Cd	15Cd		15Cd
Lamp rating		12W	15W		15W
Temperature limits			-20C, +55C		
IEC protection class			IP66		
BASEEFA Certification	Ex II 2 GD	EExdIIBT200C (EN50-014,018,281-1-1)	to +40C		
Cert. No. 04ATEX0070					

Example Order Code: SB/DEX/UC/115/B15D/Green

RF/DEX/LED Revolving LED Beacon

- Solid-state LED beacon with revolving (simulated rotating) light effect.
- 360° 'all-round' visibility.
- No moving parts.
- High density LED matrix.
- Long-life LEDs (>100,000 hours typical).
- Ultra-low current draw relative to achieved light output.

Supply voltage	12Vdc	24Vdc	115Vac	230Vac
Supply voltage limits			± 15%	
Supply current			25mA	
Number of LEDs	Red		40	
	Amber		40	
	Green		40	
	Blue		24	
	Clear		24	
Luminous intensity			8Cd	
Flash/min			150fpm (2.5Hz)	
Temperature limits			-40C, +55C	
IEC protection class			IP66	
BASEEFA Certification	Ex II 2 GD	EExdIIBT100C (EN50-014,018,281-1-1)	to +40C	
Cert. No. 03ATEX0652	Ex II 2 GD	EExdIIBT200C (EN50-014,018,281-1-1)	to +55C	

Example Order Code: RF/DEX/AC/230/LED/Red

For Installation Accessories please refer to page 73

D.G. Controls Limited

Cadley Hill Road, Swadlincote, Derbyshire, DE11 9TB, ENGLAND.

Tel: +44 (0) 1283 550850 Fax: +44 (0) 1283 550776 E-mail: sales@deegree.com www: http://www.deegree.com

Copyright © Reserved

Explosionproof Beacons

PS/DEX/LED Pulsed (Flashing) LED Beacon

- Pulsed beacon incorporating high density LED matrix.
- 360° 'all-round' visibility.
- Long-life LEDs (>100,000 hours typical).
- User selectable pulsed/static (flashing/non-flashing) operation by simple jumper link change.
- Very low current draw.

Supply voltage	12Vdc	24Vdc	115Vac	230Vac
Supply voltage limits			± 15%	
Supply current	70mA	35mA	10mA	10mA
Number of LEDs	Red		30	
	Amber		30	
	Green		30	
	Blue		18	
	Clear		18	
Luminous intensity			8Cd	
Flash/min			120fpm (2Hz)	
Temperature limits			-40C, +55C	
IEC protection class			IP66	
BASEEFA Certification	Ex II 2 GD	EEExdIIBT100C	(EN50-014,018,281-1-1)	to +40C
Cert. No. 03ATEX0652	Ex II 2 GD	EEExdIIBT200C	(EN50-014,018,281-1-1)	to +55C

Example Order Code: PS/DEX/AC/115/LED/Amber

SB/DEX/LED Static (Non-flashing) LED Beacon

- Static (non-flashing) LED beacon.
- 360° 'all-round' visibility.
- High-density LED Matrix.
- Long-life LEDs (>100,000 hours typical).
- Ideal low-current slave to conventional or explosionproof **deege** pulsed beacons (not LED).

Supply voltage	12Vdc	24Vdc	115Vac	230Vac
Supply voltage limits			± 15%	
Supply current	140mA	70mA	20mA	20mA
Number of LEDs	Red		30	
	Amber		30	
	Green		30	
	Blue		18	
	Clear		18	
Luminous Intensity			8Cd	
Temperature limits			-40C, +55C	
IEC protection class			IP66	
BASEEFA Certification	Ex II 2 GD	EEExdIIBT100C	(EN50-014,018,281-1-1)	to +40C
Cert. No. 03ATEX0652	Ex II 2 GD	EEExdIIBT200C	(EN50-014,018,281-1-1)	to +55C

Example Order Code: SB/DEX/DC/24/LED/Green

SB/DEX/UNI-LED Static Unidirectional LED Beacon

- Uni-directional LED beacon.
- Light exits top of beacon dome.
- Ideal for wall-mounted status signalling.
- Ideal low-current slave to conventional or explosionproof **deege** pulsed beacons (not LED).
- High density LED matrix.
- Long-life LEDs (>100,000 hours typical).

Supply voltage	12Vdc	24Vdc	115Vac	230Vac
Supply voltage limits			± 15%	
Supply current	180mA	90mA	25mA	25mA
Number of LEDs	Red		32	
	Amber		32	
	Green		32	
	Blue*		32	
	Clear*		32	
Luminous intensity			64Cd	
Flash/min			n/a	
Temperature limits			-40C, +55C	
IEC protection class			IP66	
BASEEFA Certification	Ex II 2 GD	EEExdIIBT100C	(EN50-014,018,281-1-1)	to +40C
Cert. No. 03ATEX0652	Ex II 2 GD	EEExdIIBT200C	(EN50-014,018,281-1-1)	to +55C

* Blue and Clear currently unavailable in 12Vdc.

Example Order Code: SB/DEX/AC/230/UNI-LED/Green

TP/DEX/LED Telephone Operated - Line Powered

- Solid-state LED telephone operated beacon.
- Telephone-line powered.
- 360° All-round visibility.
- No moving parts.
- High density LED matrix.
- Long-life LEDs (>100,000 hours typical).
- Standard unit supplied without telephone cable.
- Telephone cable can be supplied at extra cost.
- Contact your sales point for details of terminating plug options.

Supply voltage		48 - 75Vuc	
Supply voltage limits		± 15%	
Number of LEDs	Red	30	
	Amber	30	
	Green	30	
	Blue	18	
	Clear	18	
Luminous intensity		8Cd	
Temperature limits		-40C, +55C	
IEC protection class		IP66	
BASEEFA Certification	Ex II 2 GD	EEExdIIBT100C	(EN50-014,018,281-1-1) to +40C
Cert. No.03ATEX-652	Ex II 2 GD	EEExdIIBT200C	(EN50-014,018,281-1-1) to +55C

Example Order Code: TP/DEX/TR/LED/Amber

For Installation Accessories please refer to page 73

D.G. Controls Limited

Cadley Hill Road, Swadlincote, Derbyshire, DE11 9TB, ENGLAND.

Tel: +44 (0) 1283 550850 Fax: +44 (0) 1283 550776 E-mail: sales@deege.com www: http://www.deege.com

Copyright © Reserved

Combined Beacons and Sounders



Combined Beacon and Sounder units integrate a beacon lamp with an audible sounder. These beacons are designed to satisfy the increasing customer demand for a single dual-function warning device.

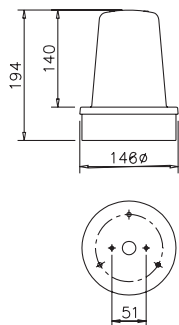
A wide range of options are available, including 110dB 32-tone IP65 LED Sounder Beacons (ISB-E and ISB-T), as well as 92dB IP54 large format Rotating Mirror units (RFE/B15D +AS), Miniature Xenon Strobe (XTA/2.5J + AS) and the latest ultra-low-power LED units in Pulsed (PSR/ULP-LED +AS and PSS/ULP-LED +AS) and Static (SBR/ULP-LED +AS and SBS/ULP-LED +AS)

versions. Other models are available; please contact your sales point for full details.

The Rotating Mirror, Xenon Strobe and Static LED units can be specified with a Mono-Tone, Pulsed-Tone or Chime-Tone sounder. The Pulsed LED units do not feature a choice of sounders; instead a Mono-Tone device is fitted, producing a pulsed sound following the cadence of the LEDs.

High-grade engineering plastics are used throughout with units featuring UV-stabilised polycarbonate lenses, available in Red, Amber, Green, Blue and Clear.

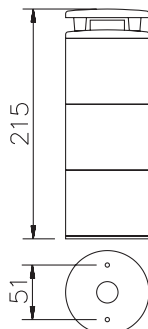
RFE/B15D + AS



Supply voltage	12Vdc	24Vdc	115Vac	230Vac
Supply voltage limits			± 15%	
Supply current	4.15A	2.15A	540mA	270mA
Luminous intensity				
Red		64Cd		80Cd
Amber		192Cd		240Cd
Green		115Cd		143Cd
Blue		38Cd		48Cd
Clear		256Cd		319Cd
Lamp rating		48W		60W
Reflector			80mm, ±3°	
Flash/min			180fpm (3Hz)	
Sound pressure level			92 dB(A) @ 1m	
Temperature limits			-20C, +55C	
IEC protection class			IP54	

Example Order Code: RFE/AC/230/B15D/Amber + AS/CT

XTA/2.5 Joule + AS



Supply voltage	12Vdc	24Vdc	115Vac	230Vac
Supply voltage limits			± 15%	
Supply current	360mA	180mA	120mA	60mA
Luminous Intensity				
Red			8Cd	
Amber			24Cd	
Green			24Cd	
Blue			8Cd	
Clear			40Cd	
Flash Energy			2.5J	
Nominal flash rate			60fpm (1Hz)	
Sound pressure level			92 dB(A) @ 1m	
Temperature limits			-20C, +55C	
IEC protection class			IP54	

Example Order Code: XTA/DC/24/SH/2.5J/Red + AS/PT

For Installation Accessories please refer to page 73

D.G. Controls Limited

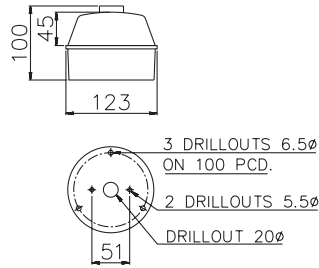
Cadley Hill Road, Swadlincote, Derbyshire, DE11 9TB, ENGLAND.

Tel: +44 (0) 1283 550850 Fax: +44 (0) 1283 550776 E-mail: sales@deegee.com www: http://www.deegee.com

Copyright © Reserved

Combined Beacons and Sounders

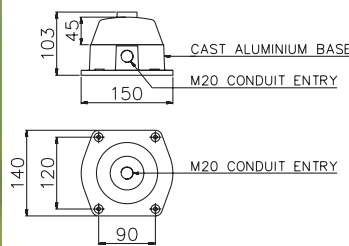
PSR/ULP-LED +AS and SBR/ULP-LED + AS



Supply voltage	12Vdc	24Vdc	115Vac	230Vac
Supply voltage limits			± 15%	
Supply current (Pulsed)	50mA	30mA	10mA	10mA
Supply current (Static)	100mA	60mA	20mA	20mA
Number of LEDs	Red		12	
	Amber		12	
	Green		12	
	Blue		12	
	Clear		12	
Luminous intensity			7Cd	
Flash/min (PSR only)			120fpm (2Hz)	
Sound pressure level			92 dB(A) @ 1m	
Temperature limits			-20C, +55C	
IEC protection class			IP54	

Example Order Code: PSR/DC/24/ULP-LED/Red +AS/MT

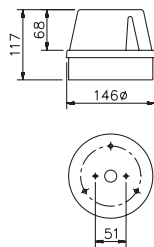
PSS/ULP-LED +AS and SBS/ULP-LED + AS



Supply voltage	12Vdc	24Vdc	115Vac	230Vac
Supply voltage limits			± 15%	
Supply current (Pulsed)	50mA	30mA	10mA	10mA
Supply current (Static)	100mA	60mA	20mA	20mA
Number of LEDs	Red		12	
	Amber		12	
	Green		12	
	Blue		12	
	Clear		12	
Luminous intensity			7Cd	
Flash/min (PSS only)			120fpm (2Hz)	
Sound pressure level			92 dB(A) @ 1m	
Temperature limits			-20C, +55C	
IEC protection class			IP54	

Example Order Code: SBS/DC/12/ULP-LED/Red +AS/PT

ISB-E

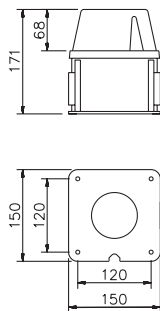


Supply voltage	12Vdc	24Vdc	115Vac	230Vac
Supply voltage limits			± 15%	
Supply current	Dependent upon selected tone			
Number of LEDs (All colours)	32			
Luminous intensity	66Cd			
Flash/min	120fpm (2Hz)			
Sound frequency*	2600Hz			
Sound pressure level @ 1m*	110dB(A)			
Temperature limits	-20C, +55C			
IEC protection class	IP65			

* Preset volume and tone selection will affect both the output frequency and maximum sound pressure level. See page 71 for tone selection options.

Example Order Code: ISB-E/DC/24/LED/Red

ISB-T



Supply voltage	12Vdc	24Vdc	115Vac	230Vac
Supply voltage limits			± 15%	
Supply current	Dependent upon selected tone			
Number of LEDs (All colours)	32			
Luminous intensity	66Cd			
Flash/min	120fpm (2Hz)			
Sound frequency*	2600Hz			
Sound pressure level @ 1m*	110dB(A)			
Temperature limits	-20C, +55C			
IEC protection class	IP65			

* Preset volume and tone selection will affect both the output frequency and maximum sound pressure level. See page 71 for tone selection options.

Example Order Code: ISB-T/AC/230/LED/Red

For Installation Accessories please refer to page 73

D.G. Controls Limited

Cadley Hill Road, Swadlincote, Derbyshire, DE11 9TB, ENGLAND.

Tel: +44 (0) 1283 550850 Fax: +44 (0) 1283 550776 E-mail: sales@deegee.com www: http://www.deegee.com

Copyright © Reserved

Electronic Sounders



Dedicated Electronic Sounders for general-purpose audible alarm applications.

New to the range is a new 110dB (A) IP65 32-tone electronic sounder designed to complement both the Series T and Series E warning beacons. The 32 tones are selected using an internal DIP-switch array. Simple 2-wire connection to energise sounder with second-stage tone available on a third wire. Maximum volume can be adjusted via an internal preset control. Full range of supply voltages accommodated - 12Vdc, 24Vdc, 115Vac and 230Vac

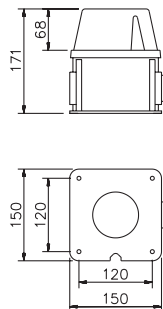
Choice of Red, Black or White polycarbonate horn moulding to either match or be distinguishable from existing equipment. IAS-T features black polycarbonate base, IAS-E features white ABS base.

IAS-T and IAS-E models are also available with additional connections for remote selection of tone.

Heavy-duty IAS-1 with single swept frequency tone. Can be supplied without driver circuit for general purpose 8Ω 8W loud-speaker applications. Horn manufactured from Black ABS.

Low-power unit (IAS-2) with choice of sounder module inserts: IAS-2/MT (Mono-Tone), IAS-2/PT (Pulse-Tone) and IAS-2/CT (Chime-Tone). Enclosure manufactured from Black UV-stabilised polycarbonate.

IAS-T Electronic Sounder

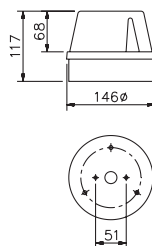


Supply voltage	12Vdc	24Vdc	115Vac	230Vac
Supply voltage limits	± 15%			
Supply current	Dependent upon selected tone			
Sound frequency*	2600Hz			
Sound pressure level @ 1m*	110dB(A)			
Temperature limits	-20C, +55C			
IEC protection class	IP65			

* Preset volume and tone selection will affect both the output frequency and maximum sound pressure level.

Example Order Code: IAS-T/DC/24/Red

IAS-E Electronic Sounder



Supply voltage	12Vdc	24Vdc	115Vac	230Vac
Supply voltage limits	± 15%			
Supply current	Dependent upon selected tone			
Sound frequency*	2600Hz			
Sound pressure level @ 1m*	110dB(A)			
Temperature limits	-20C, +55C			
IEC protection class	IP65			

* Preset volume and tone selection will affect both the output frequency and maximum sound pressure level.

Example Code: IAS-E/AC/230/White

For Installation Accessories please refer to page 73

D.G. Controls Limited

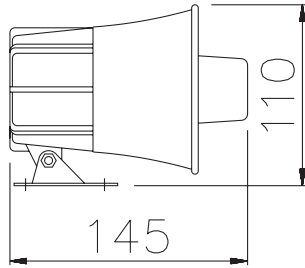
Cadley Hill Road, Swadlincote, Derbyshire, DE11 9TB, ENGLAND.

Tel: +44 (0) 1283 550850 Fax: +44 (0) 1283 550776 E-mail: sales@deegee.com www: http://www.deegee.com

Copyright © Reserved

Electronic Sounders

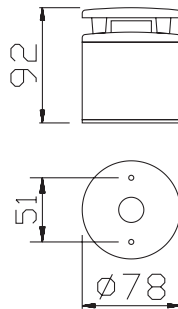
IAS-1



Supply voltage	12Vdc
Supply voltage limits	± 15%
Supply current	700mA
Sound frequency	900-1200Hz up/down sweep
Sound pressure level @ 1m	112dB(A)
Temperature limits	-20C, +55C

Example Order Code: IAS-1/DC/12

IAS-2



Supply voltage	12Vdc	24Vdc	115Vac	230Vac
Supply voltage limits			± 15%	
Supply current	16mA	32mA	16mA	9mA
Sound frequency			2600Hz	
Sound pressure level @ 1m			92dB(A)	
Temperature limits			-20C, +55C	
IEC protection class			IP54	

Example Order Code: IAS-2/AC/230/PT

IAS-E and IAS-T Sound Selection Table

SW Setting	SPL @1m (dBA)	12V (mA)	24V (mA)	115V (mA)	230V (mA)	1st Tone No.	Tone Description	2nd Tone number
12345								
00000	97	28	24	26	13	1	420 INT @ 625mS/625mS (aus evac)	2
10000	99	30	26	26	13	2	554/440 ALT @ 0.1S/0.4S	1
01000	101	34	30	27	13	3	554/440 ALT @1Hz	3
11000	97	37	33	28	14	4	660	4
00100	97	37	33	28	14	5	660 INT 1S on/1S off	5
10100	97	37	33	28	14	6	660 INT @ 1.8S on/1.8S off	6
01100	97	37	33	28	14	7	660 INT @ 6.5S on/13S off	7
11100	102	40	37	28	14	8	800/970 ALT	14
00010	102	45	40	29	14	9	800/970 ALT @1Sec/1Sec	14
10010	103	43	39	28	14	10	800-970 SWEEP @1Hz	14
01010	102	41	36	28	14	11	800-970 SWEEP @7Hz	14
11010	103	42	36	28	14	12	800-970 SWEEP @50Hz	14
00110	103	44	40	29	14	13	800-970-800 SWEEP @1/1Hz	14
10110	102	45	41	29	14	14	970	14
01110	101	44	41	29	14	15	970 INT @1Hz	14
11110	97	27	25	26	13	16	660 INT @ 150mS/150mS	16
00001	101	32	38	27	13	17	970 INT 0.5s on / 0.5s off	17
10001	101	28	27	26	13	18	970 INT @0.25s ON/1S OFF	14
01001	103	46	42	29	15	19	1000 (toxic gas alarm)	21
11001	102	46	41	29	14	20	1000 INT @1s/1s (gen alarm)	21
00101	101	40	34	28	14	21	1200-500 SWEEP @1Hz (papa)	20
10101	102	70	58	32	16	22	2100-1000 SWEEP @ 500mS	23
01101	106	117	97	39	19	23	1600/2100 ALT @250mS/250mS	24
11101	105	130	110	40	20	24	1600-2100-1600 SWEEP @ 1s/1s	23
00011	110	148	126	42	21	25	2400/2850 ALT	29
10011	110	165	142	43	21	26	2400-2850 SWEEP @1Hz	29
01011	110	152	132	42	21	27	2400-2850 SWEEP @7Hz	29
11011	110	156	131	42	21	28	2400-2850 SWEEP @50Hz	29
00111	110	157	132	43	22	29	2850	14
10111	110	154	131	42	21	30	2850 INT @1Hz	29
01111	110	154	132	42	21	31	2850 INT 0.5s on / 0.5s off	31
11111	110	100	88	36	18	32	2850 INT 150ms on / 100mS off	14

For Installation Accessories please refer to page 73

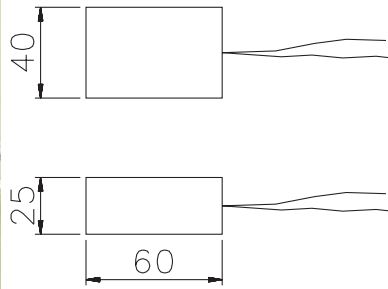
D.G. Controls Limited

Cadley Hill Road, Swadlincote, Derbyshire, DE11 9TB, ENGLAND.

Tel: +44 (0) 1283 550850 Fax: +44 (0) 1283 550776 E-mail: sales@deegee.com www: http://www.deegee.com

Copyright © Reserved

FMU Solid-state Flasher Module



The Solid-state Flasher Module (FMU/O) is designed to repetitively switch a load (up to 1A non-inductive) on/off at a rate of 40 pulses per minute. 50% duty-cycle (equal on/off periods) allows a load, such as a filament lamp, to achieve full brightness before switching off.

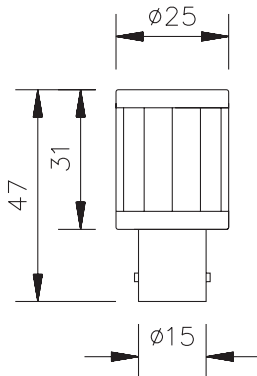
FMU/O Solid-state Flasher Module

- Wide voltage range.
- Continuously rated.
- Features a micro-controller bringing the benefit of definitive and repetitive control.
- Customised flash-rates and/or flash-patterns to suit a user's individual requirements are available. Contact your sales point for further details.

Supply voltage	12Vdc - 24Vdc	24Vac	115Vac - 230Vac
Supply voltage limits		± 15%	
Max Load (non-inductive):		1A	
Flash/min		40 fpm (0.667Hz)	
Temperature limits		-40C, +55C.	
Environmental Protection Class		IP65	

Example Order Code: FMU/O/AC/230

LEDX Plug-In LED Lamp



Plug-In LED "lamp" targeted at new-build or after-fit signal lamps, beacons or other incandescent lamp illuminated products.

Incorporating a B15d cap allowing straight replacement of filament lamps in a wide range of existing and new products. Apart from the targeted possibility of making filament lamps obsolete in industrial and commercial Indicators and small Beacon Lamps, these devices give high relative brightness with low current draw.

LEDX Plug-In Lamp

- Only 25mm in diameter, using latest technology LED components.
- Available with Red, Amber, Green or White LEDs
- Life in excess of possibly 100,000 hours.
- 230V AC, 115V AC or 12V UC, 24V UC (AC or DC) models.
- High brightness versus low current draw.
- Enhances new-build or upgrades Stacker Beacon Towers or Mono Beacons.
- Filament lamps made obsolete!

Supply voltage	12Vuc	24Vuc	115Vac	230Vac
Supply voltage limits			± 15%	
Supply current	64mA	36mA	18mA	18mA
Luminous intensity	Red	Application specific		
	Amber	Application specific		
	Green	Application specific		
	Clear	Application specific		
Number of LEDs	8			
Temperature limits	-40C, +55C			
IEC protection class	Not applicable			

Example Order Code: LEDX/AC/230/Red

For Installation Accessories please refer to page 73

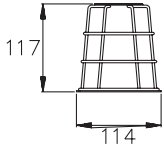
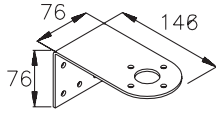
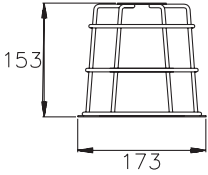
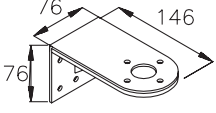
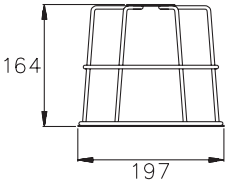
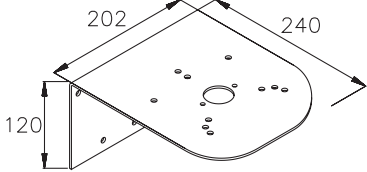
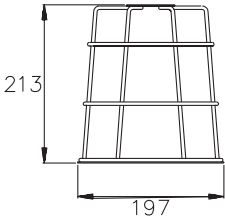
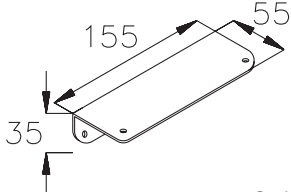
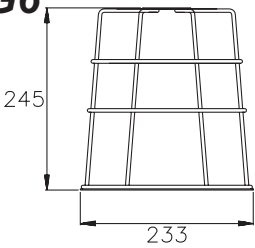
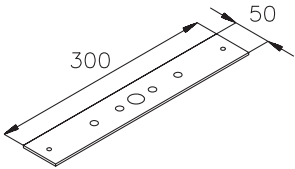
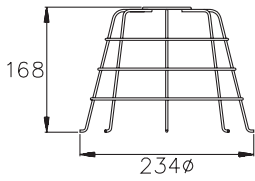
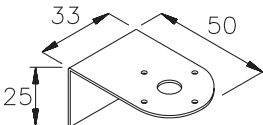
D.G. Controls Limited

Cadley Hill Road, Swadlincote, Derbyshire, DE11 9TB, ENGLAND.

Tel: +44 (0) 1283 550850 Fax: +44 (0) 1283 550776 E-mail: sales@deegee.com www: http://www.deegee.com

Copyright © Reserved

Installation Accessories

		<i>Use With</i>		
G1		Series: D DXG/1530/2D	Series: D, R, L, E, K, H, F V-D, SA, TA, TB	 MB1 Stainless Steel
G2		Series: L V-D DXG/2040/2L	Series: D, R, L, E SA, TA, TB	 MB2 Moulded Polycarbonate/Nylon
G3		Series: M V-L	Series: S, M, K, H T, U, V, W V-R V-L V-K	 MB7 Stainless Steel
G4		Series: E, K	Series: N IPN DX/1520 MI/1520	 MB8 Stainless Steel
G5/G6		Series: H(G5), J(G6) T (G5), U (G5) V (G5), W (G5) V-K(G5)	Series: G	 MB10 Stainless Steel
G7		Series: G (Supplied fitted with Dome Lens)	Series: STC	 MB12 Stainless Steel

D.G. Controls Limited

Cadley Hill Road, Swadlincote, Derbyshire, DE11 9TB, ENGLAND.

Tel: +44 (0) 1283 550850 Fax: +44 (0) 1283 550776 E-mail: sales@deegee.com www: http://www.deegee.com

Copyright © Reserved

Terms and Conditions of Sale

Application

- 1 (a) These conditions apply to all quotations, offers and contracts for the sale of goods by D.G. Controls Limited and/or D.G. Switchcontrols Limited, whose registered offices and works are situated at Cadley Hill Road, Swadlincote, Derbyshire DE11 9TB, England (the "Seller").
- (b) In these conditions the "Buyer" means the person, firm or company who has ordered or agreed to purchase goods from the Seller.

Ordering

- 2 (a) Any order submitted for any goods is a binding offer to purchase those goods on these conditions. Verbal orders are accepted only at the Buyer's risk and the Seller's interpretation of any verbal instructions will be considered and agreed by the Buyer to be correct and valid.
- (b) All terms and conditions of the Buyer are hereby excluded.
- (c) A quotation by the Seller does not constitute an offer.
- (d) Any offer by the Seller to sell any goods is open for acceptance for 14 days from and including the date of that offer unless otherwise specified in such offer.
- (e) The Buyer shall not be entitled to cancel or modify any order submitted by it or to return any goods delivered by the Seller without the Seller's written consent.
- (f) If the Seller agrees to cancellation or return, the Buyer shall be liable to pay to the Seller an amount as specified by the seller (minimum of 25% of invoice value of goods or £25 whichever is the greater) together with all costs of handling, carriage, insurance and packing in relation to delivery of the goods and arranging for return of the goods to the Seller. Any credit amount due to the buyer is not refundable but will be held by the seller to be set against future invoicing.
- (g) In purchasing the goods the Buyer agrees to take on all financial and legal obligations for the responsible disposal of the goods at the end of life, according to the requirements of the Waste Electrical and Electronic Equipment (WEEE) Directive 2002/96/EC and subsequent Member State legislation.

Price

- 3 (a) Unless otherwise agreed, the price for any goods shall be the Seller's advertised list price at the time the goods are invoiced to the Buyer.
- (b) The Seller may vary the price of the goods by a reasonable amount attributable to a change in or insufficiency of the Buyer's instructions or specifications and/or to be in line with the prices ruling at the date of invoice.
- (c) All prices are exclusive of value added tax and any other taxes and duties which will be payable in addition at the rate current at the time of invoice.
- (d) Where specifically stated, the prices for the goods include carriage, packaging, and other delivery costs for delivery of the goods in a single consignment to a United Kingdom mainland address, during normal working hours as operated by the Supplier. Otherwise and also the costs of delivery of the goods elsewhere or in more than one consignment shall be an additional charge to the Buyer.
- (e) The Seller shall be entitled to decide the method of carriage. If the Buyer requests a method of carriage, then it shall pay for any additional charges, costs and expenses incurred by the Seller, in arranging

for carriage by a different method.

Specification

- 4 (a) The Buyer acknowledges that the goods are subject to a continuing process of change and development and that the goods may not comply in all respects with the technical specifications set out in the Seller's catalogues or elsewhere, or be identical in all respects with goods of the same type previously supplied.
- (b) The Seller reserves the right to make unilaterally and without prior reference to the buyer any reasonable change to any specification of the goods prior to despatch.
- (c) The Buyer acknowledges that all specifications and details in all catalogues, quotations, acknowledgements and web sites, are approximate only and do not form part of the contract.

Delivery

- 5 (a) The Seller will use its reasonable endeavours to deliver goods by the agreed delivery dates or if no dates are stated, within a reasonable time.
- (b) All delivery dates are estimates only and time of delivery is not of the essence.
- (c) The Buyer shall not be entitled to refuse to accept late delivery or treat late delivery as a breach of contract.
- (d) The Seller shall not be liable for late delivery or non-delivery owing to any circumstance beyond its reasonable control (including any delay, act or omission of a third party carrier used by the Seller) and delivery of any goods shall be suspended for so long as such circumstance lasts.
- (e) The Seller shall be entitled to withhold delivery of any goods where any amounts payable by the Buyer to the Seller are overdue on any account whatsoever, without allowing termination of the outstanding balance of the order by the buyer.
- (f) If the Buyer refuses to accept delivery of the Goods, the Buyer shall in addition to the price, pay the Seller's costs incurred in returning and storing or otherwise disposing of the goods.

Risk

6. Risk in the goods shall pass to the Buyer on delivery to the Buyer or its agent, representative or carrier.

Inspection

- 7 (a) The Seller shall not be liable for total loss in transit, unless non-delivery is notified to the Seller within 3 days after the Seller has despatched its delivery advice note.
- (b) The Buyer shall inspect the goods immediately on receipt, and the Seller shall not be liable for defects or shortages discoverable on reasonable inspection unless the Buyer notifies the Seller within 3 days from and including the date of delivery.
- (c) Where the Buyer notifies the Seller of any non-delivery, defects or shortages, the Seller's only liability shall be at its sole option as soon as reasonably practicable to repair or replace defective goods, make good any shortages, or to refund to the Buyer the purchase price paid for the goods.

Payment

- 8 (a) Unless otherwise agreed, the Buyer shall pay the Seller's invoices within 30 days after the date of invoice.
- (b) The Buyer shall make all payments in full without withholding, deduction

or set-off for any reason.

- (c) The Seller shall be entitled to charge daily interest on overdue amounts at the rate of 2.5% per month from the due date to the date of payment.
- (d) If the Seller has reasonable doubts about the Buyer's ability or willingness to pay, the Seller shall be entitled to suspend performance and to request payment on or before delivery or security for payment before continuing with performance of the contract. Such suspension will not allow termination of the outstanding balance of the order by the Buyer.
- (e) All payments are due in the currency as requested in the invoice.

Title

- 9 (a) Title to any goods shall remain with the Seller until it has received payment in full in cash or cleared funds for all of the goods in the same order, whether or not the goods are to be delivered and paid for in instalments.
- (b) Until title to any goods has passed, the Buyer holds those goods as bailee for the Seller.
- (c) In the event that any payment for all or any goods is overdue or is likely to be unpaid, the Buyer shall re-deliver those goods on demand and authorises the Seller to enter any premises to remove those goods.

Warranty

- 10 (a) If the Buyer finds a material defect in the goods within 12 months from and including the date of despatch then the Seller will at its sole option as soon as is reasonably practicable repair or replace defective goods or refund to the Buyer the purchase price paid for those goods PROVIDED THAT:
- (i) the Buyer informs the Seller within 3 days after the defect was discovered and then proceeds as instructed by the Supplier, including the prompt return, at the Buyer's expense of any goods claimed faulty;
- (ii) the defect existed in the goods at the time of delivery of the goods or arose from faulty materials or workmanship, was not reasonably discoverable upon inspection at the time of receipt, and did not result from any modification or alteration of the goods by the Buyer, or from normal deterioration, or from improper or faulty connection, installation, handling, storage or use of the goods by the Buyer, or failure of the Buyer to comply with any instructions provided by the Seller;
- (iii) any trade marks or labels on the goods have not been removed or mutilated.
- (b) Where the Seller has the benefit of any warranty or guarantee in respect of the goods or any parts or components comprised in the goods, this warranty or guarantee shall replace the above warranty in so far as the defect relates to such parts or components, and the Seller will use his reasonable endeavours to extend to the Buyer the benefit of that warranty or guarantee.

Liability

- 11 (a) The Seller's express liability under the these conditions shall be the Seller's only liability and the Buyer's only remedy for breach of this contract for the sale of goods and all other liability of the Seller whether in contract, tort (including negligence), statute or otherwise, is hereby excluded.
- (b) The goods are supplied strictly on the terms that the Buyer has satisfied itself of their suitability for

its purposes. All warranties and representations express or implied, as to the quality or fitness for purpose of the goods are hereby excluded.

- (c) In any event, the total liability of the Seller in respect of breach of any contract for the sale of goods or any representation given in connection with such a contract, whether in contract, tort (including negligence) statute or otherwise shall be limited to the purchase price for the goods.
- (d) In any event, the Seller shall not be liable to the Buyer in respect of breach of any contract for the sale of goods or any representation given in connection with such a contract, whether in contract, tort (including negligence) statute or otherwise howsoever, for any consequential, indirect or special losses, any loss of use, profit, business, revenue, or contract, or any liability of the Buyer to any third party.
- (e) In any event, the Seller shall not be liable for delay or non-performance of this contract due to any event or circumstance beyond its reasonable control (including act of god, legislation, war, civil commotion, fire, flood, failure of power supply, strike or other industrial action, or any inability to obtain parts or materials).
- (f) Nothing in these conditions shall limit or exclude the Seller's liability for death or personal injury resulting from its negligence.
- (g) The Buyer shall indemnify the Seller against all actions, claims, costs, damages, expenses and other loss or liability arising out of a defect in the goods to the extent occasioned or contributed to by any act or omission of the Buyer.

Rights

- 12 (a) All patents, copyrights, design rights and trade marks, rights to confidence, and all other intellectual property rights, whether registered or unregistered, in any part of the world, in or developed by the Seller in relation to the goods are and shall remain the property of the Seller.
- (b) The Seller does not warrant that the import, export, advertisement, or sale of the goods will not infringe the intellectual property rights of any third party, and shall have no liability to the Buyer in such case.
- (c) The Buyer shall not remove or tamper with any trade marks or labels attached to the goods.

Notices

- 13 (a) All notices shall be in writing, and sent by hand, courier, first class post or facsimile to the address of the recipient stated in any quotation, order or acknowledgement of order.
- (b) Notices shall be deemed to be received if sent by hand or courier, on delivery, if sent by first class post, on the second day following the day of posting, and if sent by facsimile, on completion of uninterrupted transmission.

Law

- 14 These conditions and any contract to which these conditions apply shall be governed by and construed in accordance with English law and the parties hereby submit to the exclusive jurisdiction of the English Courts.

Whilst every effort has been made to ensure the accuracy of this publication, we operate a policy of continuous improvement, and reserve the right to alter models and specifications without notice. Values and specifications shown are nominal rather than exact, and can be verified at time of purchase. All information given in good faith, but without guarantee to performance figures.

All dimensions shown are in mm

E&OE

For Installation Accessories please refer to page 73

D.G. Controls Limited

Cadley Hill Road, Swadlincote, Derbyshire, DE11 9TB, ENGLAND.

Tel: +44 (0) 1283 550850 Fax: +44 (0) 1283 550776 E-mail: sales@deegee.com www: http://www.deegee.com

Copyright © Reserved

Glossary

- 1520** Moulded polycarbonate housing - 150x200x80mm
- 1530** Steel housing - 150x300x120mm
- 2040** Steel housing - 200x400x120mm
- 2060** Steel housing - 200x600x120mm
- 2D** Fitted 2 off D dome lenses
- 2J** Fitted 2 off J dome lenses
- 2L** Fitted 2 off L dome lenses
- 3L** Fitted 3 off L dome lenses
- 610EX** Large Explosionproof (EExde)
- A** Colour Amber
- A** Amp - unit of electrical current drawn
- ABS** Acrylonitrile-Butadiene-Styrene plastic
- AC** Alternating electrical current (normally 50-60Hz)
- ACTE** AC transformer, external to beacon, for driving low-voltage tungsten halogen lamp
- AISI 316** Austenitic (chromium-nickel stainless class) stainless steel containing 2%-3% molybdenum
- AOV** All-over viewing
- AS** Audible sounder
- ASA** Series SA audible sounder stacking module
- B** Colour blue
- B15D** Small bayonet lamp cap (SBC) double contact
- B22** Bayonet lamp cap (BC) double contact
- BASEEFA** British approvals service for electrical equipment in flammable atmospheres - In 1987 MECS and BASEEFA were brought together to form EECS
- BCSA** Series SA base and cap stacking module
- C** Colour clear
- Cd** Candela - Unit of luminous intensity
- CFT** Compact fluorescent tube
- CT** Chime tone
- dB(A)** Decibel - Unit of sound pressure, 'A' weighted scale
- DC** Direct electrical current
- DEX** Small explosionproof (EExd) beacon
- DH** Double-hit - Repetitive double flash
- Dichroic** Focussed/reflector style tungsten halogen lamp
- DX** Duplex xenon strobe beacon
- DXG** Duplex xenon strobe beacon with fitted guards
- E14** Small edison screw lamp cap (SES)
- E27** Edison screw lamp cap (ES)
- EB** Moulded polycarbonate 'Eurobox' enclosure
- EECS** Electrical equipment certification service
- EExd** Hazardous area product - Explosionproof (zones 1 and 2)
- EExde** Hazardous area product - Increased safety (zones 1 and 2)
- EN** Euronorm
- EPC** Epoxy powder coated
- ESA** Series SA extender stacking module
- fepm** Flash event per minute - e.g. 60 double flashes per minute (DH) or 60 single flashes per minute (SH)
- FMU** Universal flasher module
- fpm** Flashes per minute
- G** Colour green
- G-** Protective cage guard - e.g. G1
- Hz** Hertz - Unit of frequency
- IAS** Industrial audible sounder
- ICAO** International civil aviation organization
- IEC** International electrotechnical commission
- IIB** Hazardous area gas group - Group IIB (Surface - above ground) Ethylene
- IP54** Environmental protection class to EN60947 (BS5420/IEC144) (Subject to correct installation and sealing any unused mounting holes)
- IP65** Environmental protection class to EN60947 (BS5420/IEC144) (Subject to correct installation and sealing any unused mounting holes)
- IP66** Environmental protection class to EN60947 (BS5420/IEC144) (Subject to correct installation and sealing any unused mounting holes)
- IP68** Environmental protection class to EN60947 (BS5420/IEC144) (Subject to correct installation and sealing any unused mounting holes)
- IPN** LED indicator panel
- ISO9000** International standard for quality management
- J** Joule - Unit of (flash) Energy
- LA** Sealed lead acid rechargeable battery
- LED** Light emitting diode
- LFR** Lamp failure relay
- LM25** Cast aluminium alloy (Al-Si7Mg0.5)
- m** Metre - Unit of length
- mm** Millimetre - Unit of length
- M20** Conduit/gland entry with M20x1.5 thread
- mA** milliAmps - unit of electrical current, one thousandth of an Amp
- MAG** Magnetic base
- MB-** Mounting bracket - e.g. MB1
- MECS** Mining equipment certification service
- MH** Metal halide lamp
- MI** Multihead indicator
- MIH** Multihead indicator with integral hoods
- MONX** Xenon strobe monitoring circuit
- MT** Mono-tone
- MV** Mercury vapour lamp
- NC** Nickel cadmium (NiCd) rechargeable battery
- Ω** Ohm - unit of electrical resistance
- PB** P base - Cast aluminium mounting base for series SA stacking and series TA and TB tower beacons.
- PCD** Pitch circle diameter
- PM** Pole mount
- PS-** Pulsed/static beacon - e.g. PSD
- PSA** Series SA pulsed/static indicator stacking module
- PT** Pulse-tone
- PTA** Series TA pulsed tower beacon
- PTB** Series TB pulsed tower beacon
- R** Colour red
- RF-** Rotating flashing beacon e.g. RFE
- RSA** Series SA revolving LED indicator stacking module
- RSJ** Rolled steel joist - 'I' section girder
- RTA** Series TA revolving LED tower beacon
- RTB** Series TB revolving LED tower beacon
- SB-** Static (non-flashing) beacon e.g. SBH
- SH** Single-hit - Repetitive single flash
- SS** Stainless steel
- SSA** Series SA static (non-flashing) indicator stacking module
- STA** Series TA static (non-flashing) tower beacon
- STB** Series TB static (non-flashing) tower beacon
- SV** Sodium vapour lamp
- SYNC** Synchronised - Additional terminals are provided to allow synchronisation of multiple beacons
- T4** Hazardous area temperature class - Maximum surface temperature of equipment 135C - Ignition temperature of gas or vapour >135C
- T6** Hazardous area temperature class - Maximum surface temperature of equipment 85C - Ignition temperature of gas or vapour >85C
- TA** Series TA tower beacon indicator
- TB** Series TB tower beacon indicator
- TH20** 20 watt tungsten halogen lamp
- TH20D** 20 watt tungsten halogen lamp with in-built dichroic reflector
- TH50D** 50 watt tungsten halogen lamp with in-built dichroic reflector
- TH55** 55 watt tungsten halogen lamp
- TH70** 70 watt tungsten halogen lamp
- TP-** Pulsed telephone beacon e.g. TPD
- TR** Telephone ring initiate
- TRA** Telephone ring initiate with tinkle-suppression circuit
- TRO** Telephone ring initiate without tinkle-suppression circuit
- TX-** Xenon telephone beacon e.g. TXL
- UC** Universal electrical current - AC or DC
- UC-RECT** UC rectifier after-fit module, AC supply - DC load
- UL** Underwriters laboratories
- ULP** Ultra low power
- UNI** Uni-directional
- UV** Ultra-violet
- V** Volt - Unit of electrical potential difference
- VP-** Pulsed vehicle Beacon e.g. VPD
- VR-** Rotating vehicle beacon e.g. VRK
- VRA** Voltage range 'A' - 12Vdc to 100Vdc or 12Vac to 70Vac
- VX-** Vehicle xenon strobe beacon e.g. VXL
- W** Watt - Unit of electrical power
- XF-** Xenon Strobe Beacon e.g. XFR
- XSA** Series SA xenon strobe stacking module
- XTA** Series TA xenon strobe tower beacon



D.G. Controls Limited

Cadley Hill Road, Swadlincote, Derbyshire, DE11 9TB, ENGLAND.

Tel: +44 (0) 1283 550850 Fax: +44 (0) 1283 550776

E-mail: sales@deegee.com www: <http://www.deegee.com>



INVESTOR IN PEOPLE

A8530



ISO9001

D.G. Controls Limited